

TUB FILLER WITH DIVERTER

Cat. No.
4199



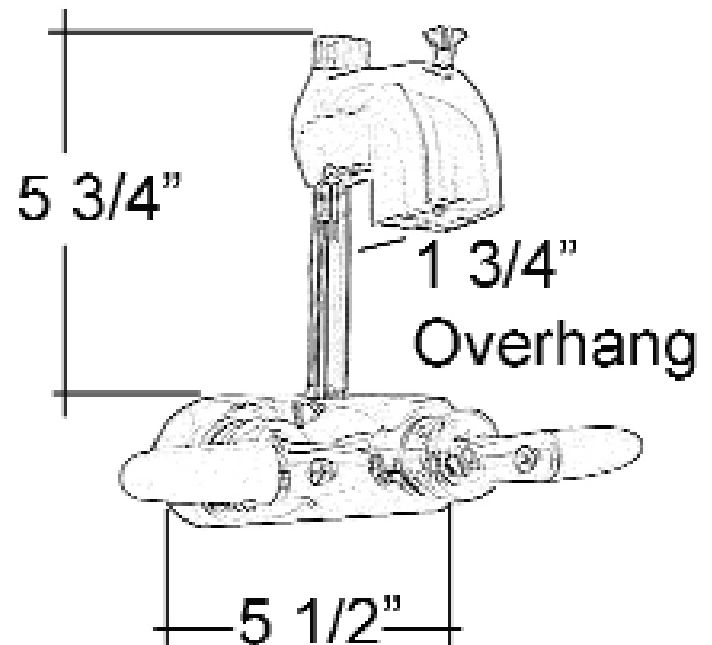
Features:

- ▶ Code Spout Included
- ▶ Plastic Shower Head
- ▶ 3 3/8" Centers
- ▶ 1/4 Turn
- ▶ Flow Rate is 4 GPM
- ▶ White Plastic Handles
- ▶ 6" Wall Support Assembly
- ▶ Support Adjustable by Cutting
- ▶ For use with #5576 Double Offset Supplies

Finishes:

- CP Polished Chrome
- BP Polished Brass

| | |
|----------------------|--------|
| Riser Height: | 56" |
| Wall Support Length: | 6" |
| Spout Over-hang: | 1 3/4" |
| Faucet Body Width: | 5 1/2" |



Dimensions are nominal and may vary. Dimensions and specifications subject to change without notice.