

SIENNA DROP - IN WASH BASIN

Cat. No.
4-709



Drain not included

W: 15 1/2"
D: 12 7/8"
H: 6"
Flange: 3" x 1 3/8" deep

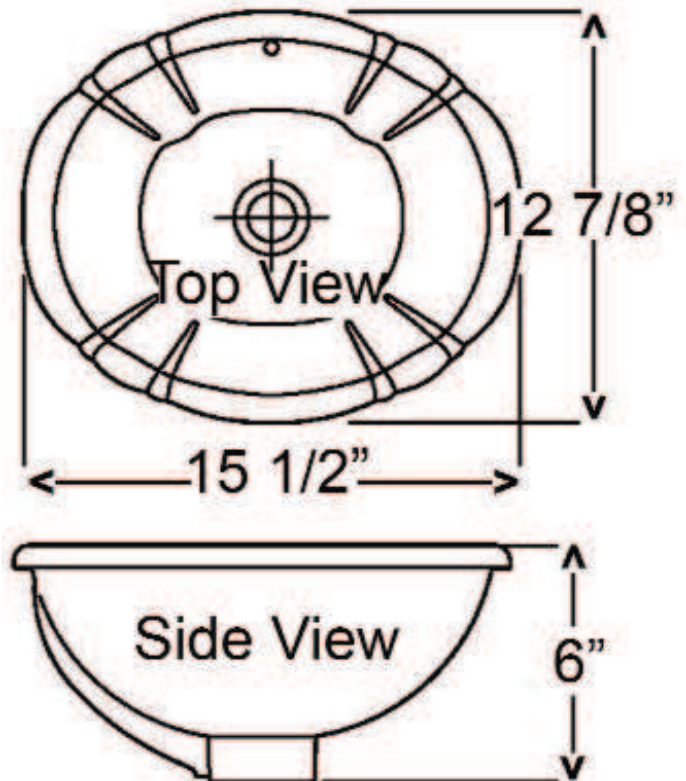
Features:

- ▶ Made of Vitreous China
- ▶ Fluted Basin
- ▶ Traditional Style
- ▶ Self Rimming

Colors:

WH White
BQ Bisque
BL Black

Meets or exceeds the following specifications: ASME A112.19.2 2008 and CSA B45.1-08 for ceramic plumbing fixtures.



Interior Dimensions:

Basin Interior: 12 3/4" x 10"
Basin Depth: 4 5/8"

Dimensions of fixture are nominal and may vary within the range of tolerances established by ASME Standard A112.19.2. Dimensions and specifications subject to change without notice.