

# ACRYLIC ROLL TOP TUB

Cat. No.  
ATR60



L: 60 1/2"  
W: 29 1/2"  
H: 24 1/2" (from floor)  
17 3/4" (from bottom of tub)

Top of tub to center of faucet holes: 3 1/4"

**The following is recommended for ATR60 tubs:**

- Tub wall-mounted faucets
- Double offset bath supplies: part #5576
- Leg tub drain: part #5599

**Do Not Use with rigid, freestanding supplies.**

Gallon Capacity: 40  
Shipping Weight: 110 lbs.  
Empty Weight: 56 lbs.  
Filled Weight: 410 lbs.

## Features:

- ▶ Inside finish is either white or bisque to match outside color
- ▶ 3 3/8" centers in tub wall with continuous rolled rim
- ▶ Outside is textured fiberglass reinforced polyester coated with two-part epoxy
- ▶ Feet are attached and leveled before shipment
- ▶ Cast aluminum ball and claw feet
- ▶ Tub is thoroughly inspected before shipment

### Foot Finishes

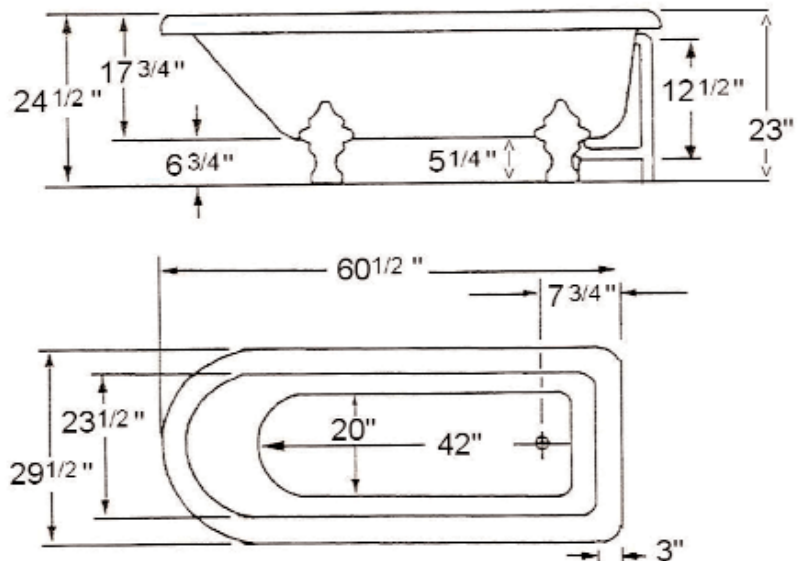
**BQ** Bisque  
**BL** Black  
**BP** Polished Brass  
**CP** Polished Chrome  
**BN** Brushed Nickel  
**ORB** Oil Rubbed Bronze  
**PN** Polished Nickel  
**WH** White

### Tub Colors

**WH** White  
**BQ** Bisque



**Custom Colors Available** (inside of tub is always white enamel):  
Painted bathtubs are considered "special order" and are not returnable  
\$160 Bisque or Black \$250 Designer Color



Dimensions of fixture are nominal and specifications subject to change without notice.