

CODE RECTANGULAR SHOWER UNIT

Cat. No.
4122



Features:

- ▶ 3/4" Solid Brass Tubing
- ▶ Code Gooseneck Spout
- ▶ 3 3/8" Centers
- ▶ 1/4 Turn Ceramic Disc Cartridges
- ▶ Flow rate 3.68 GPM
- ▶ Porcelain Lever Handles
- ▶ Includes Ceiling and Wall Support Assemblies
- ▶ Supports Are Adjustable By Cutting
- ▶ Available In 3 Finishes
- ▶ For Acrylic Tub Use
- ▶ For Cast Iron Tub Use: Part# 4124
- ▶ Does Not Include Shower Head

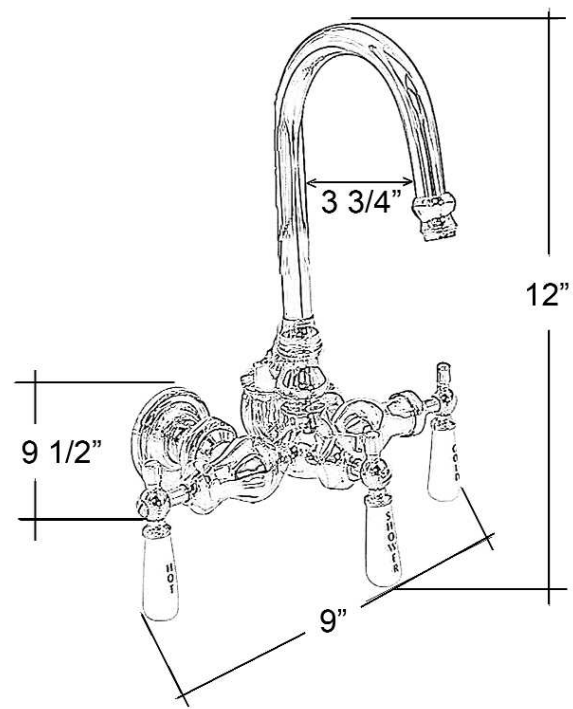
Finishes:

- CP Polished Chrome
- BP Polished Brass
- SN Brushed Nickel

Shower Rod

L: 48"
D: 24"

Riser Height: 62"
Wall Support: 10" Adjustable
Ceiling Support: 30" Adjustable



Dimensions are nominal and may vary. Dimensions and specifications subject to change without notice.