

STANFORD 550 PEDESTAL LAVATORY

Cat. No.
3-86X



Faucet not included

W: 21-3/4"
D: 17-1/8"
Total Height: 35-1/2"
Height to top of the sink: 33"
Flange: 1-5/8"

Interior Dimensions:

Basin Interior: 17-3/4" x 10"
Basin Depth: 6"
Mount bolts height: 31-1/8"
Mount holes cc: 8-1/4"
Faucet and spout holes: 1-1/8"(4")
1-3/8"(8")

Features:

- ▶ Made of Vitreous China
- ▶ Available for 4" CC or 8" Widespread
- ▶ Can be Installed Using Toggle or Molly Bolts (not included)
- ▶ Overflow
- ▶ IAPMO certified
- ▶ Simplify installation with Hangers (pair) or Bracket (one), to be purchased separately.

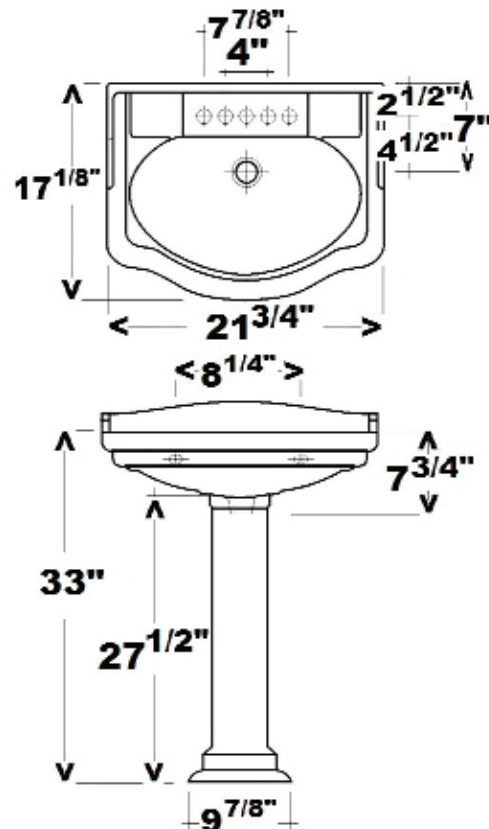


Colors:

WH White
BQ Bisque

Compliance Certification

Meets or exceeds the following specifications: ASME A112.19.2:2008 and CSA B45.1-08 for ceramic plumbing fixtures.



Dimensions of fixture are nominal and may vary within the range of tolerances established by ASME Standard A112.19.2-2008. Dimensions and specifications subject to change without notice.