

# 55" CAST IRON ROLL TOP TUB

Cat. No.  
CTRN54



L: 55 1/2"  
W: 30"  
H: 25" (from floor to top of tub)  
16 1/2" (from bottom of tub to top of tub)

Meets or exceeds the following specifications: A112-19-1M 1994.

The following is recommended for CTRN54 tubs without faucet holes:

- Faucets: part #4602
- Rigid, freestanding supplies: Part #4502
- Leg tub drain: part #5599

Gallon Capacity: 36  
Shipping Weight: 434 lbs.  
Empty Weight: 247 lbs.  
Filled Weight: 547 lbs.

## Features:

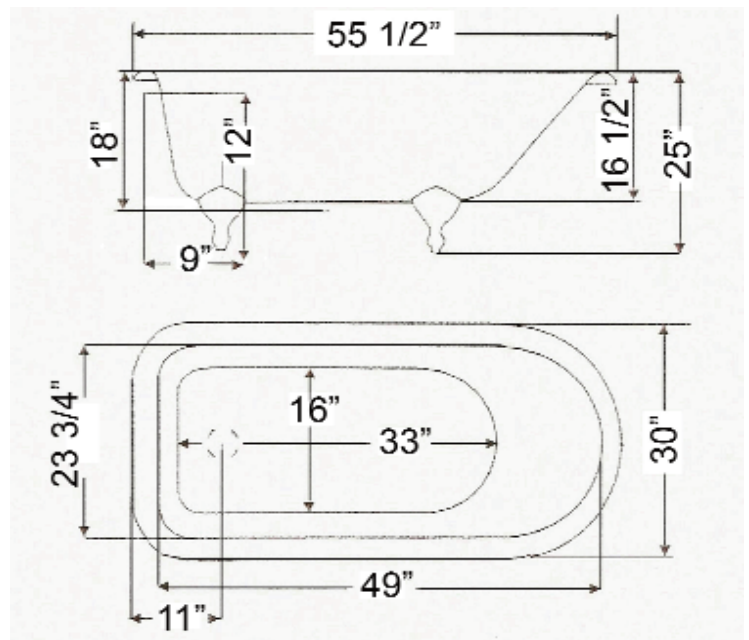
- ▶ Inside finish is white enamel
- ▶ Cast Iron ball and claw feet available in 6 finish or unfinished
- ▶ Tub exterior is white (epoxy)
- ▶ No faucet holes
- ▶ Non-skid strips
- ▶ Feet are attached and leveled before shipment
- ▶ Tub is thoroughly inspected before shipment

### Foot Finishes:

- BP** Polished Brass
- CP** Polished Chrome
- PN** Polished Nickel
- SN** Brushed Nickel
- WH** White
- ORB** Oil-rubbed Bronze



**Custom Colors Available** (inside of tub is always white enamel):  
Painted bathtubs are considered "special order" and are not returnable  
\$160 Bisque or Black \$250 Designer Color



Dimensions of fixture are nominal and may vary within the range of tolerances established by ANSI Standard A112.19.2. Dimensions and specifications subject to change without notice.