

SWIVEL ARMS

Cat. No.
4501



Features:

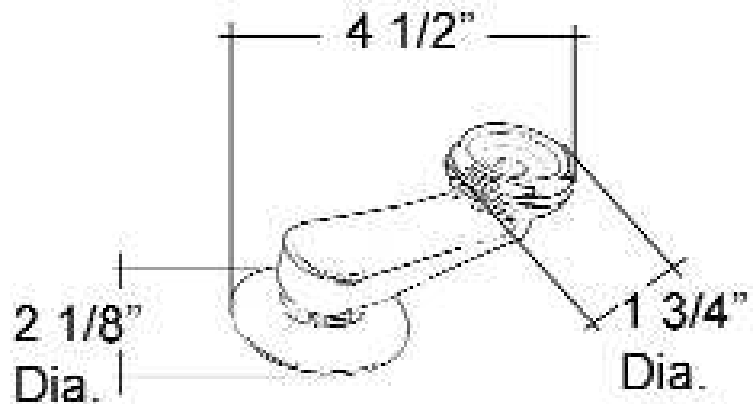
- ▶ For Use with Faucets Mounted To Tub Wall
- ▶ Sold In Pairs
- ▶ Available in 5 Finishes
- ▶ Adjustable From 3" To 12"
(Allows For Faucet Centers to Be Adjusted)

Finishes:

- CP** Polished Chrome
- BP** Polished Brass
- SN** Brushed Nickel
- PN** Polished Nickel
- ORB** Oil Rubbed Bronze

L: 4 1/2"

Thread Diameter: 3/4"



Dimensions are nominal and may vary. Dimensions and specifications subject to change without notice.