

TUB WALL MOUNT FILLER WITH HANDSHOWER

Cat. No.
4602



Features:

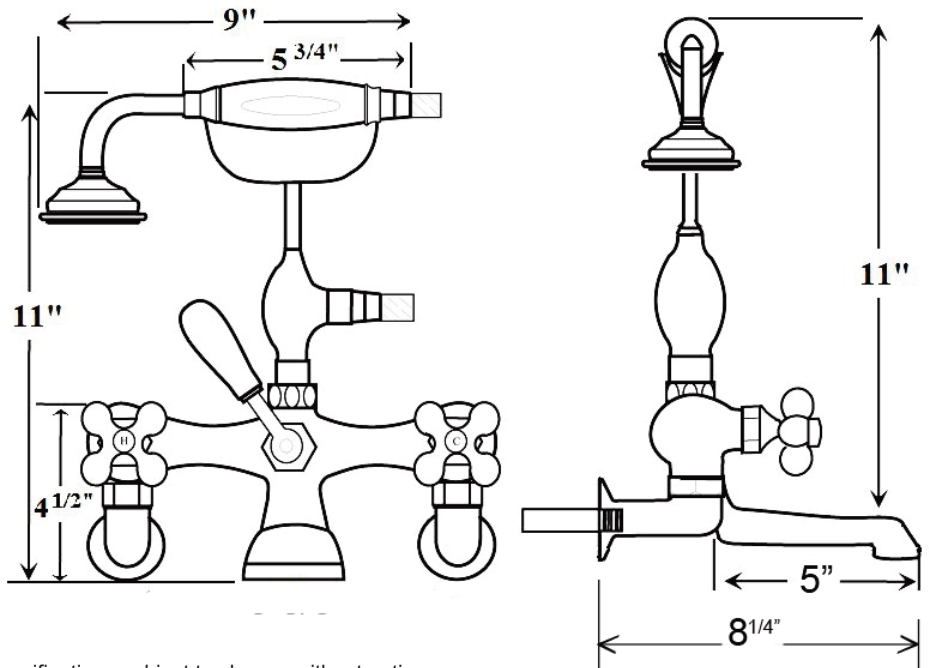
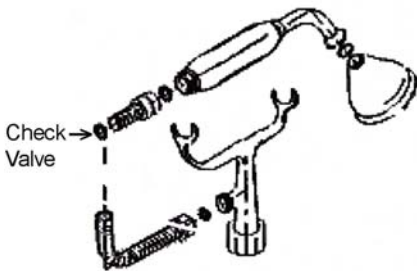
- ▶ Brass Construction
- ▶ Elephant Spout
- ▶ Telephone Style Hand Shower with Cradle and Hose
- ▶ Handshower includes Backflow Preventer
- ▶ Swivel Mounts adjust centers from 3" to 12"
- ▶ Faucet centers are 7" without swivel mounts
- ▶ For Tub Wall Mount Installation
- ▶ Spout Length is 5"
- ▶ 1/4" turn ceramic disc cartridges
- ▶ Flow rate for spout is 3.70 GPM @ 80 PSI
- ▶ Flow rate for handshower is 2.5 GPM
- ▶ To be used with Double Offset Bath Supplies, Part #5576
- ▶ This Faucet can also be used with Rigid Freestanding Supplies, Part #4502 with Adjustable Swivel Mounts removed

Finishes:

- BP Polished Brass
- CP Polished Chrome
- SN Brushed Nickel
- PN Polished Nickel
- ORB Oil Rubbed Bronze



Adjustable Swivel Mounts



Dimensions are nominal and may vary. Dimensions and specifications subject to change without notice.