

PREP/BAR SINK

Cat. No.
6512



Features:

- ▶ 18 Gauge Metal
- ▶ For undermount applications
- ▶ Copper has natural bacteria fighting properties
- ▶ Copper is a Living Finish and will Patina Over Time
- ▶ Pewter Will Not Patina Under Normal Circumstances

Finishes:

AC Hammered Antique Copper
PE Hammered Pewter

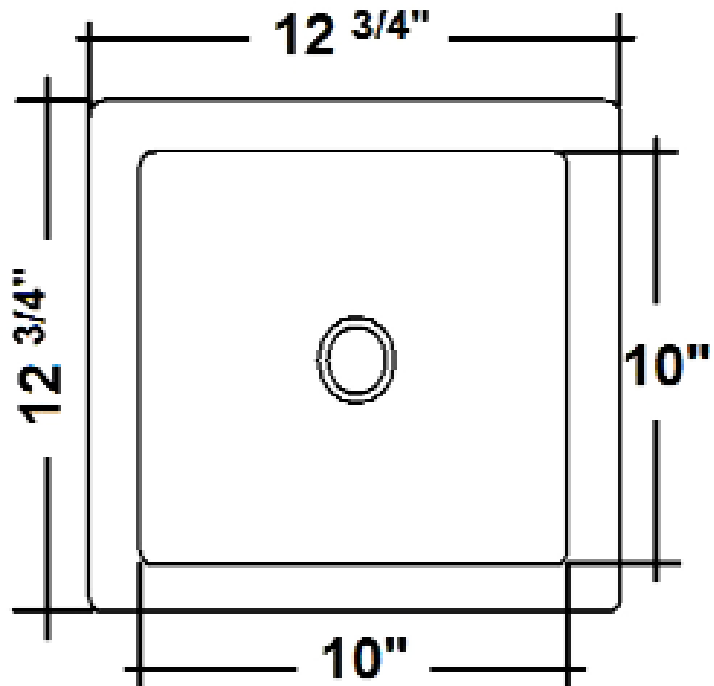
Compliance Certification
Material is consistent with
UNS C81100 Copper Casting
Alloy with respect to chemical
composition.

W: 12 3/4"

D: 12 3/4"

Interior Dimensions:

Basin: 10" x 10"
Basin Depth: 5 3/4"



Dimensions of fixture are nominal and may vary. Dimensions and specifications subject to change without notice.