

TUB FILLER

Cat. No.
4052



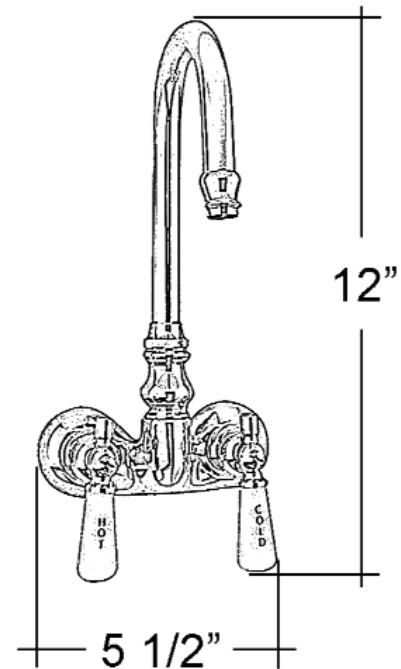
Features:

- ▶ Code Gooseneck Spout
- ▶ 1/4 Turn Ceramic Disc Cartridges
- ▶ 3 3/8" Centers for Tub Wall Mount Installation
- ▶ 3/4" Nipples
- ▶ Porcelain Lever Handles
- ▶ Spout reach is 3 3/4"
- ▶ Flow rate is 3.6 GPM
- ▶ For use with Double Offset Supplies #5576

Finishes:

- CP** Polished Chrome
- BP** Polished Brass
- SN** Brushed Nickel
- PN** Polished Nickel

L: 12"
W: 5 1/2"
D: 3 3/4"



Dimensions are nominal and may vary. Dimensions and specifications subject to change without notice.