

TUB FILLER

Cat. No.
4050



BARCLAY



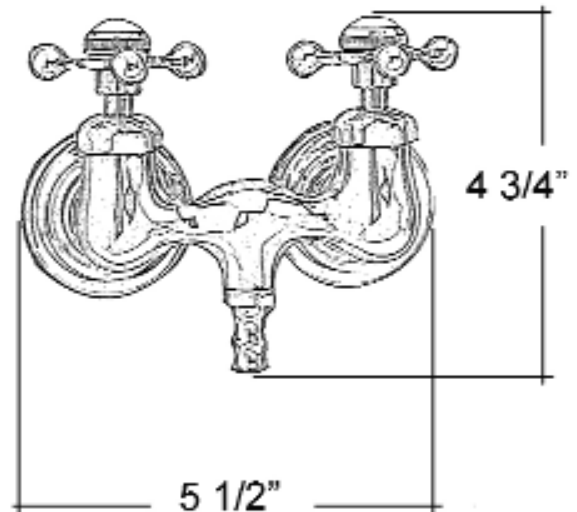
L: 4 3/4"
W: 5 1/2"
D: 3 1/4"

Features:

- ▶ Old Style Spigot
- ▶ Compression Stems
- ▶ 3 3/8" Centers for Tub Wall Mount Installation
- ▶ Ceramic Hot and Cold Buttons
- ▶ 3/4" Nipples
- ▶ Metal Cross Handles
- ▶ Flow rate is 3.84 GPM

Finishes:

- CP** Polished Chrome
- BP** Polished Brass
- SN** Brushed Nickel
- PN** Polished Nickel



Dimensions are nominal and may vary. Dimensions and specifications subject to change without notice.