

INFINITY PEDESTAL LAVATORY

Cat. No.
3-32X



Faucet no included

Features:

- ▶ Made of Vitreous China
- ▶ Available for 1 hole, 4" CC or 8" Widespread
- ▶ Overflow
- ▶ Can be Installed Using Toggle or Molly Bolts (not included)
- ▶ Simplify installation with Hangers (pair) or Bracket (one), to be purchased separately.

Colors:

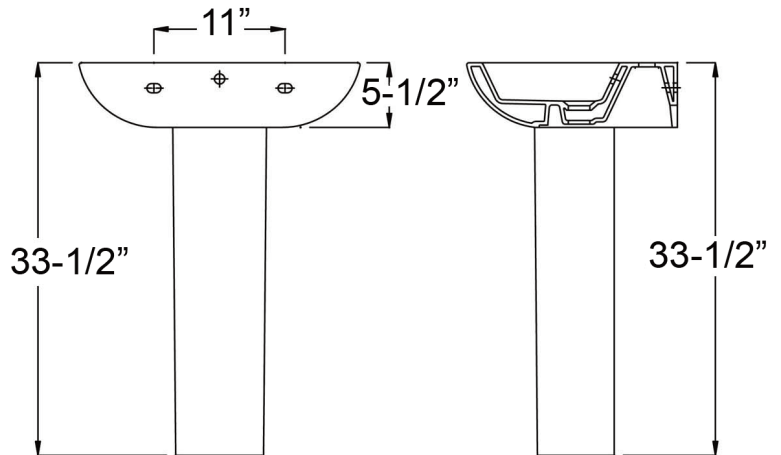
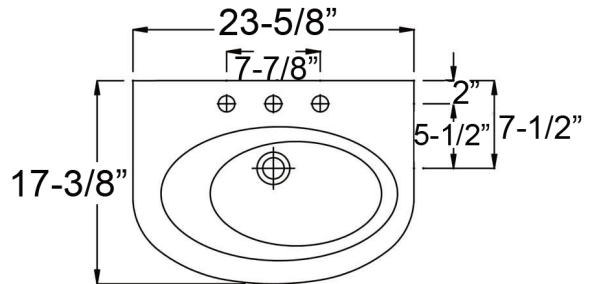
WH White

Compliance Certification

Meets or exceeds the following specifications: ASME A112.19.2 2008 (and CSA B45.1-08 for ceramic plumbing fixtures).

W: 23-5/8"
D: 17-3/8"
H: 33-1/2"
Flange: 2-7/8"

Column: 8"W x 6-1/2"D x 28-1/8" H



Interior Dimensions:

Basin Interior: 19-3/8" x 11-5/8"
Basin Depth: 3-3/8"
Mount bolts height: 31-1/4"
Mount holes cc: 11"
Faucet and spout holes: 1-3/8"

Dimensions of fixture are nominal and may vary within the range of tolerances established by ASME Standard A112.19.2-2008. Dimensions and specifications subject to change without notice.