

# DECK MOUNT COUPLERS

Cat. No.  
4504



## Features:

- ▶ Used to convert a tub wall mounted faucet to a tub deck mounted faucet
- ▶ May be used in conjunction with swing arms (#4501D) to vary faucet centers
- ▶ Includes washers and water line couplers
- ▶ Sold in pairs
- ▶ Available in 5 finishes

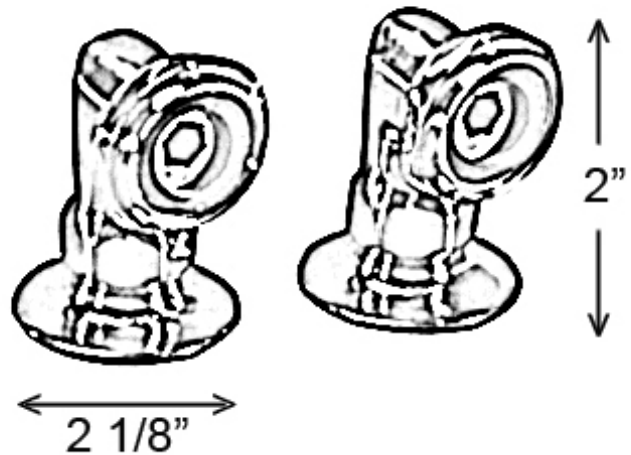
## Finishes:

**CP** Polished Chrome  
**BP** Polished Brass  
**SN** Brushed Nickel

**PN** Polished Nickel  
**ORB** Oil Rubbed Bronze



4501D



Dimensions are nominal and may vary. Dimensions and specifications subject to change without notice.