

**ICARUS
67" CAST IRON
SLIPPER TUB**

Cat. No.
CTS7H67



L: 67"
W: 30"
H: 22" & 29" (from floor to top of tub)

Depth: 13 1/2" to overflow
17" at drain

Overflow hole: 1 1/2" diameter

The following is recommended for CTS7H67 tubs:

- Rim-mounted faucet: part #4601
- Straight bath supplies: part #5577
- Leg tub drain: part #5599
- For use with shower curtain rod:
Part# 4062, 4045
- Complete shower unit: **Part# 4063**

Gallon Capacity:	57
Shipping Weight:	410 lbs.
Empty Weight:	300 lbs.
Filled Weight:	776 lbs.

Features:

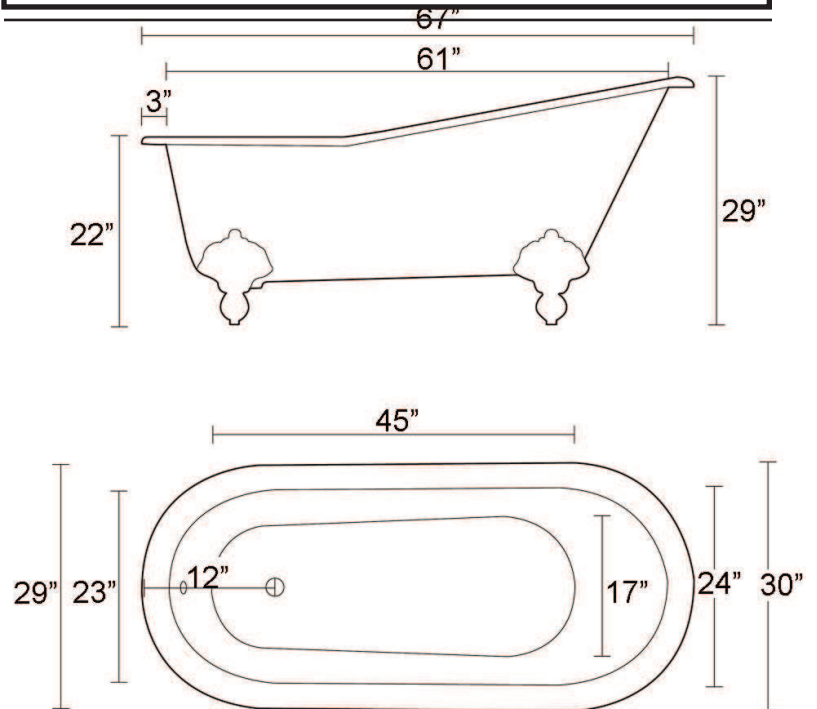
- ▶ Inside finish is white enamel
- ▶ Ball and claw feet available in 6 finishes
- ▶ Tub exterior is white (epoxy)
- ▶ 7" centers in tub deck
- ▶ Feet attached and leveled before shipment
- ▶ Tub is thoroughly inspected before shipment

Foot Finishes:

- BP** Polished Brass
- CP** Polished Chrome
- PN** Polished Nickel
- SN** Brushed Nickel
- WH** White
- ORB** Oil-rubbed Bronze



Custom Colors Available (inside of tub is always white enamel):
Painted bathtubs are considered "special order" and are not returnable
\$160 Bisque or Black \$250 Designer Color



Dimensions of fixture are nominal and may vary within the range of tolerances established by ANSI Standard A112.19.1M. Dimensions and specifications subject to change without notice.

TUB FILLER WITH DIVERTER, HANDSHOWER SHOWERHEAD & RING

Cat. No.

4063



Features:

- ▶ Elephant Spout
- ▶ Telephone Style Handshower with Cradle and 59" Hose
- ▶ Backflow Preventor in Handshower
- ▶ Includes Sunflower Showerhead
- ▶ Includes Riser and Rectangular Shower Ring
- ▶ Includes 6" Elbow Mounts
- ▶ 1/4 turn Ceramic Disc Cartridges
- ▶ 7" Centers for Tub Deck Mount Installation
- ▶ Flow rate for spout is 3.7 GPM
- ▶ Flow rate for handshower is 2.5 GPM
- ▶ Flow rate for showerhead is 2.44 GPM
- ▶ Available with Porcelain Lever (4063-PL) or Metal Cross (4063-MC) Handles
- ▶ To Be Used with Straight Bath Supplies, Part #5577
- ▶ For Deck Mounting on Acrylic or Cast Iron Tubs

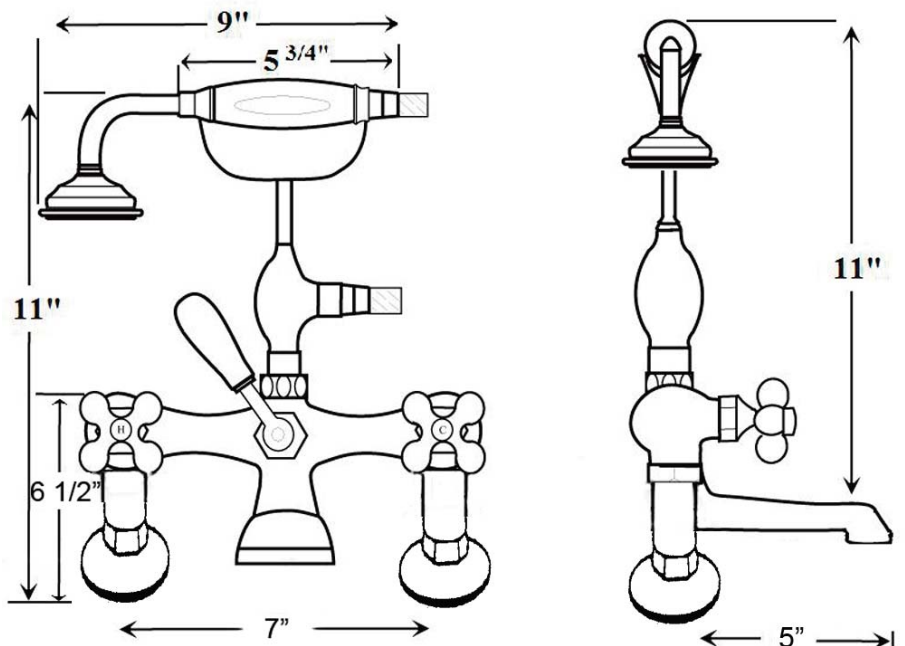
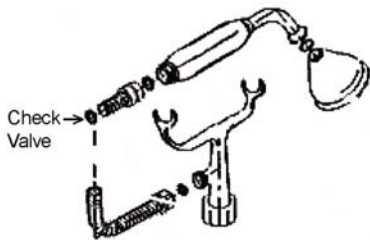
Finishes:

BP Polished Brass
CP Polished Chrome
PN Polished Nickel

SN Brushed Nickel
ORB Oil Rubbed Bronze



Shower Rod: 48"W x 24"D
Riser Height: 62"
Wall Support: 10"
Ceiling Support: 30"
Spout Length: 5"



Dimensions are nominal and may vary. Dimensions and specifications subject to change without notice.

STRAIGHT BATH SUPPLIES

Cat.No.

5577



BARCLAY



H: 24"

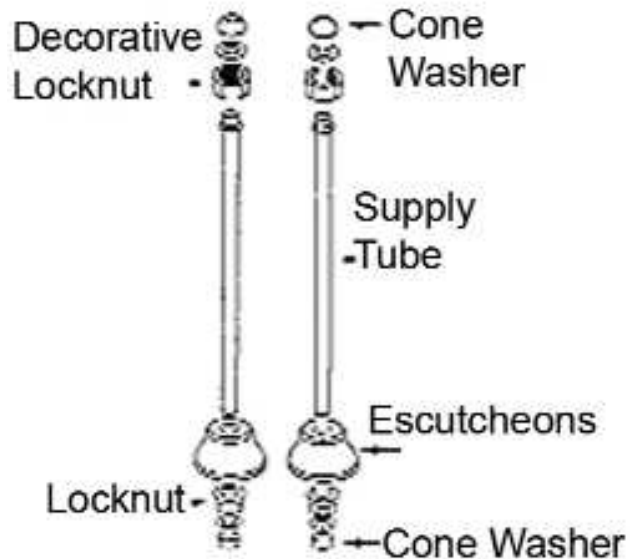
OD: 1/2"

Features:

- ▶ For Use with Faucets Mounted to the Tub Deck
- ▶ No Stops
- ▶ 1/2" Compression Inlet
- ▶ 3/4" Compression Outlet
- ▶ Bottom Flange 2 1/2" diameter
- ▶ Available in 5 Finishes

Finishes:

- CP** Polished Chrome
- BP** Polished Brass
- PN** Polished Nickel
- SN** Brushed Nickel
- ORB** Oil Rubbed Bronze



Dimensions and specifications subject to change without notice.

LEG TUB DRAIN

Cat. No.
5599



Escutcheon Height is 1 1/4"

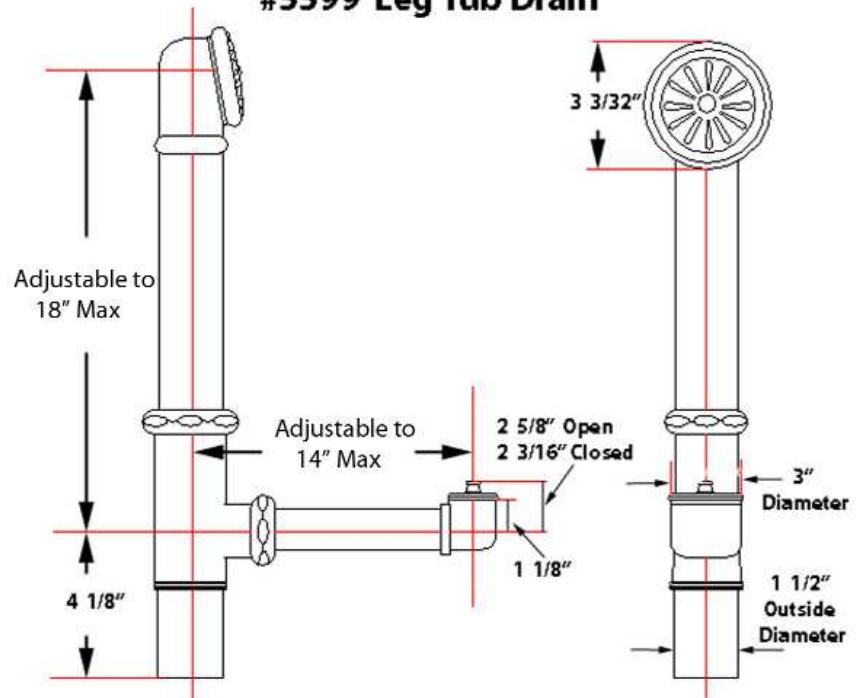
Features:

- ▶ Twist-and-Lift Stopper
- ▶ Includes Deep Escutcheon
- ▶ Available in 5 Finishes

Finishes:

- CP Polished Chrome
- BP Polished Brass
- SN Brushed Nickel
- PN Polished Nickel
- ORB Oil Rubbed Bronze

#5599 Leg Tub Drain



Dimensions and specifications subject to change without notice.