

# Duet 67" Cast Iron Double Roll Top Tub with Base

Cat. No.  
CTDRHB



L: 66"  
W: 31-1/8"  
H: 25-1/4" (from floor to top of tub)  
17-3/4" (from bottom of tub to top)

Water depth: 14-1/8" to overflow

## Features:

- ▶ Inside finish is white enamel
- ▶ Tub exterior is white
- ▶ 7" centers in tub deck in center of long side
- ▶ Pre-drilled overflow
- ▶ Tub and base combination ships in one pallet
- ▶ Cutout in base for waste and overflow



**Custom Colors Available** (inside of tub is always white enamel):  
Painted bathtubs are considered "special order" and are not returnable  
\$160 Bisque or Black \$250 Designer Color

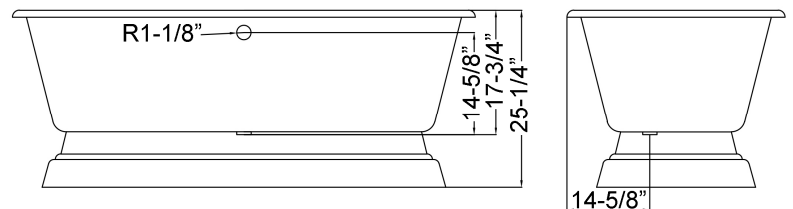
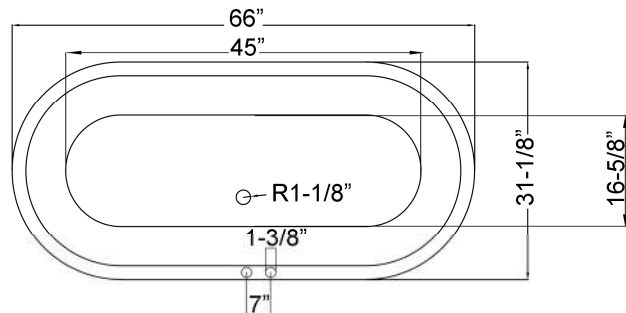
The following is recommended for  
CTDRHB tubs with deck holes:

- Rim-mounted faucet: part #4601 or 4201
- Straight bath supplies: part #5577
- Leg tub drain: part #5599

### Note

To prevent the accumulation of standing water under your tub base we recommend using a bead of silicone between the base and the floor.

Gallon Capacity: 55  
Shipping Weight: 570 lbs.  
Empty Weight: 350 lbs.  
Filled Weight: 809 lbs.



Dimensions and specifications subject to change without notice.

# TUB RIM MOUNT FILLER WITH HANDSHOWER

Cat. No.  
4601



## Features:

- ▶ Brass construction
- ▶ Elephant spout length is 5-<sup>3</sup>/<sub>4</sub>"
- ▶ Flow rate is 3.7 GPM
- ▶ Available with porcelain lever (**4601- PL**) or metal cross lever handles (**4601-MC**)
- ▶ Telephone handshower with cradle and hose
- ▶ Handshower flow rate 2.5 GPM
- ▶ Handshower includes backflow preventer
- ▶ 6" Elbow mounts included
- ▶ IAPMO approved
- ▶ 7" Centers for deck mounting on acrylic or cast iron tubs
- ▶ ¼ Turn ceramic disc cartridges
- ▶ To be used with straight bath supplies, **Part #5577**

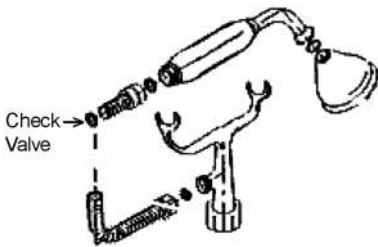
## Finishes:

**BP** Polished Brass  
**CP** Polished Chrome  
**SN** Brushed Nickel

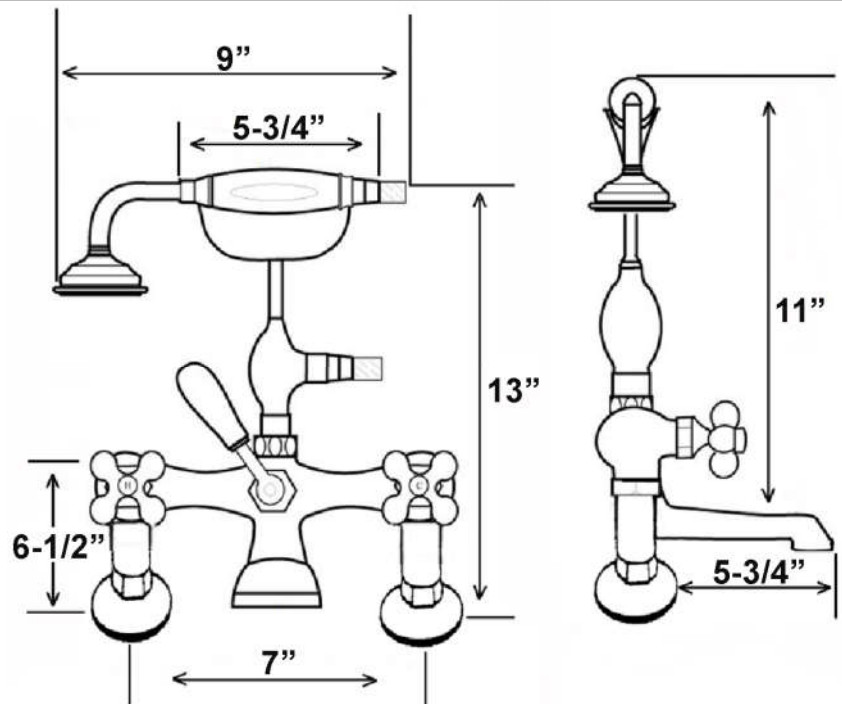
**PN** Polished Nickel  
**ORB** Oil Rubbed Bronze



6" Elbow Mounts



Check  
Valve



Dimensions are nominal and may vary. Dimensions and specifications subject to change without notice.

# STRAIGHT BATH SUPPLIES

Cat.No.

5577



H: 24"

OD: 1/2"

### Interior Dimensions:

Basin Interior: 13" x 11 7/8"

Basin Depth: 7 1/2"

Mount bolts height: 30"

Mount holes cc: 6"

Spout hole: 1 3/8"

### Features:

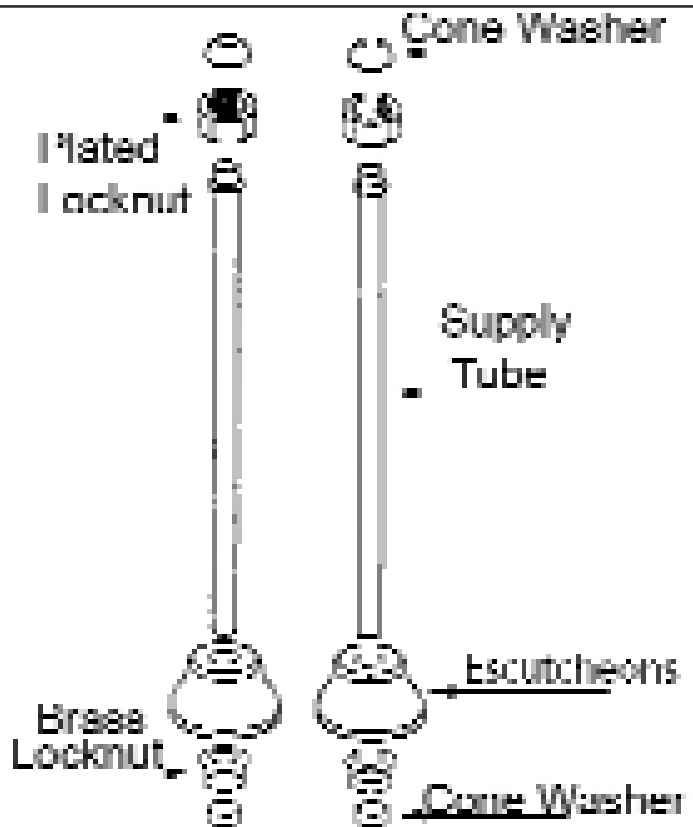
- ▶ For use with faucets mounted to the tub deck
- ▶ No stops
- ▶ 1/2" Compression inlet
- ▶ 3/4" Compression outlet
- ▶ Bottom flange 2-1/2" diameter
- ▶ 0.500" Outer diameter
- ▶ 0.400" Inner diameter
- ▶ 0.030" Thickness of the wall
- ▶ Available in 5 Finishes

### Compliance Certification

Meets or exceeds the following specifications: ASME-A112 (and 19.6M) for Vitreous china fixtures. ASME 112.19.9M for fire clay fixtures.

### Finishes:

- CP Polished Chrome
- SN Brushed Nickel
- BP Polished Brass
- ORB Oil Rubbed Bronze
- PN Polished Nickel



**Use on concrete floors requires special installation. We recommend using a plumbing professional.**

Dimensions and specifications subject to change without notice.

# LEG TUB DRAIN

Cat. No.  
5599



Escutcheon Height: 1-1/4"

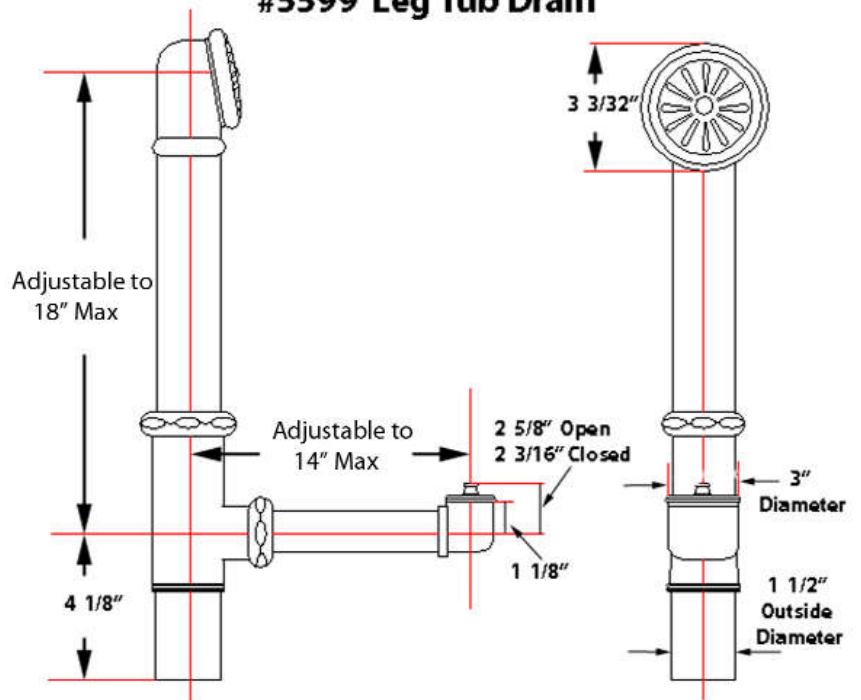
## Features:

- ▶ Twist-and-lift stopper
- ▶ Includes deep escutcheon
- ▶ Height adjustable 15"-18"
- ▶ Depth adjustable 12"-14"
- ▶ Includes deep escutcheon
- ▶ IAPMO approved
- ▶ Available in 5 Finishes

## Finishes:

- CP** Polished Chrome
- BP** Polished Brass
- SN** Brushed Nickel
- PN** Polished Nickel
- ORB** Oil Rubbed Bronze

## #5599 Leg Tub Drain



Dimensions and specifications subject to change without notice.