

DOUBLE ACRYLIC ROLL TOP TUB

Cat. No.
ADTR60



L: 60 1/2"
W: 29 1/2"
H: 23" (from floor)
18" (from bottom of tub)

The following is recommended for ADTR60 tubs

- Tub wall-mounted faucets
- Double offset bath supplies: **Part# 5576**
- Leg tub drain: **Part# 5599**

Do not use with rigid, freestanding supplies

Gallon Capacity: 40
Shipping Weight: 110 lbs.
Empty Weight: 62 lbs.
Filled Weight: 410 lbs.

All ATR60 tubs have 3 3/8" centers in tub wall.

Features:

- ▶ Inside finish is either White or Bisque to match outside color
- ▶ Ball and Claw Feet available in 8 finishes
- ▶ Smooth acrylic surface inside and out
- ▶ Tubs ship with feet attached and leveled
- ▶ Tubs thoroughly inspected before shipment

Foot Finishes

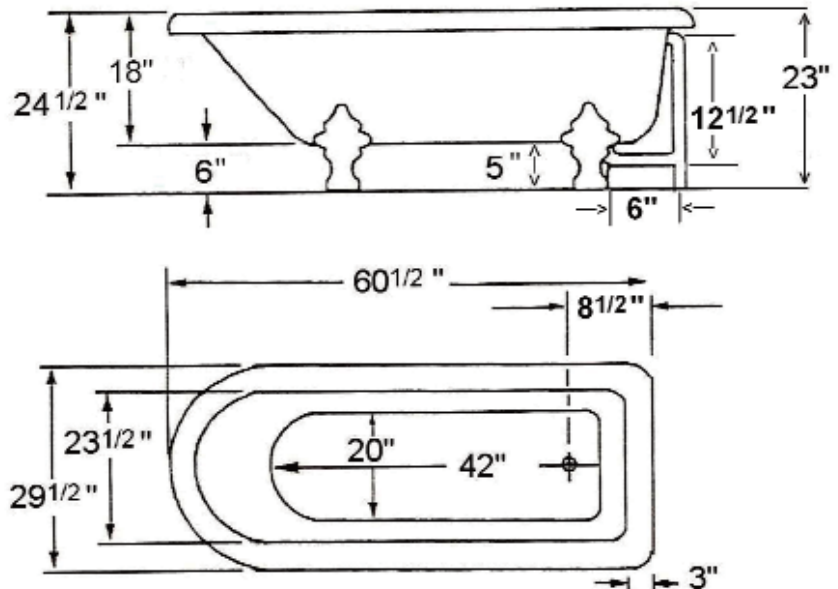
BQ Bisque
BL Black
BP Polished Brass
CP Polished Chrome
BN Brushed Nickel
ORB Oil Rubbed Bronze
PN Polished Nickel
WH White

Tub Colors

WH White
BQ Bisque



Custom Colors Available (inside of tub is always white enamel):
Painted bathtubs are considered "special order" and are not returnable
\$160 Bisque or Black \$250 Designer Color



Dimensions are nominal and specifications subject to change without notice.

CODE RECTANGULAR SHOWER UNIT

Cat. No.
4122



Features:

- ▶ 3/4" Solid Brass Tubing
- ▶ Code Gooseneck Spout
- ▶ 3 3/8" Centers
- ▶ 1/4 Turn Ceramic Disc Cartridges
- ▶ Flow rate 3.68 GPM
- ▶ Porcelain Lever Handles
- ▶ Includes Ceiling and Wall Support Assemblies
- ▶ Supports Are Adjustable By Cutting
- ▶ Available In 3 Finishes
- ▶ For Acrylic Tub Use
- ▶ For Cast Iron Tub Use: Part# 4124
- ▶ Does Not Include Shower Head

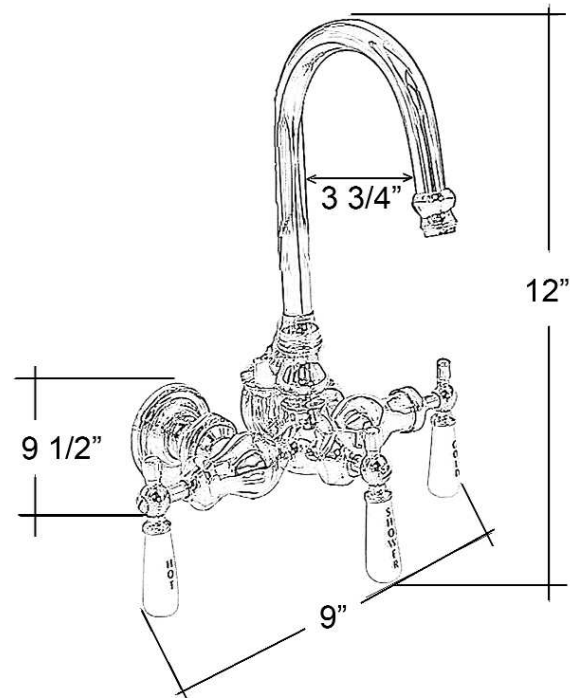
Finishes:

- CP Polished Chrome
- BP Polished Brass
- SN Brushed Nickel

Shower Rod

L: 48"
D: 24"

Riser Height: 62"
Wall Support: 10" Adjustable
Ceiling Support: 30" Adjustable



Dimensions are nominal and may vary. Dimensions and specifications subject to change without notice.

DOUBLE OFFSET BATH SUPPLIES

Cat.No.
5576



H: 24"

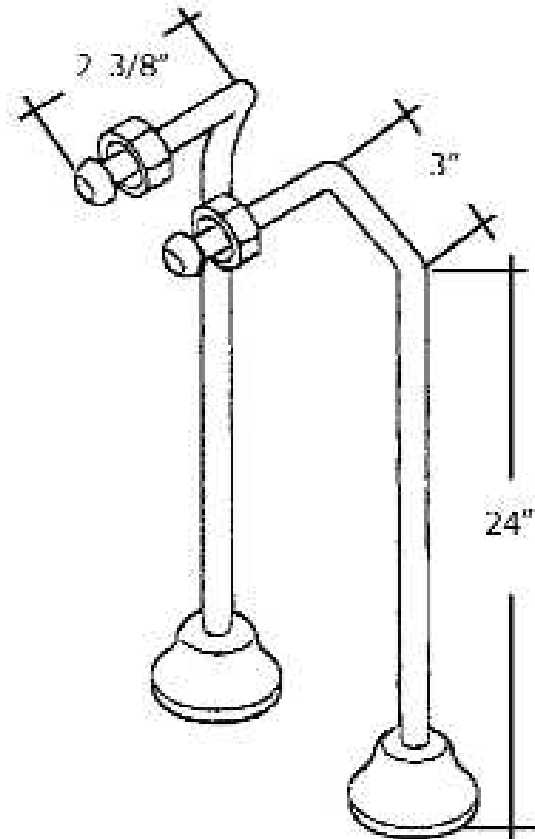
OD: 1/2"

Features:

- ▶ For Use with Faucets Mounted to the Tub Wall
- ▶ No Stops
- ▶ 1/2" Compression Inlet
- ▶ 3/4" Compression Outlet
- ▶ Available in 5 Finishes

Finishes:

- CP** Polished Chrome
- BP** Polished Brass
- PN** Polished Nickel
- SN** Brushed Nickel
- ORB** Oil Rubbed Bronze



Dimensions and specifications subject to change without notice.

LEG TUB DRAIN

Cat. No.
5599



Escutcheon Height is 1 1/4"

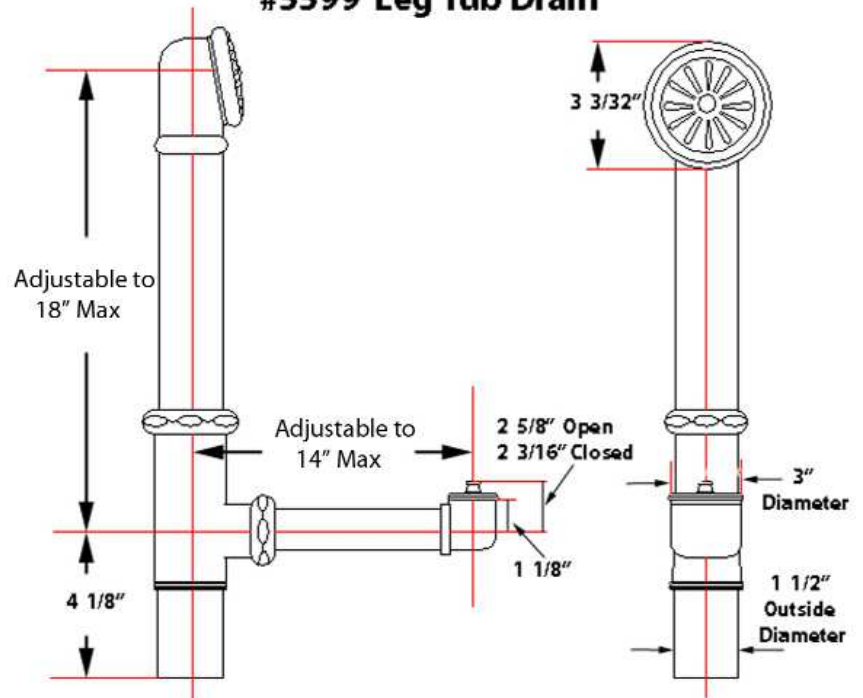
Features:

- ▶ Twist-and-Lift Stopper
- ▶ Includes Deep Escutcheon
- ▶ Available in 5 Finishes

Finishes:

- CP Polished Chrome
- BP Polished Brass
- SN Brushed Nickel
- PN Polished Nickel
- ORB Oil Rubbed Bronze

#5599 Leg Tub Drain



Dimensions and specifications subject to change without notice.