

Project Name:	Prepared By:
Project Number:	Date:
Catalog Number:	Type:

Product Dimensions

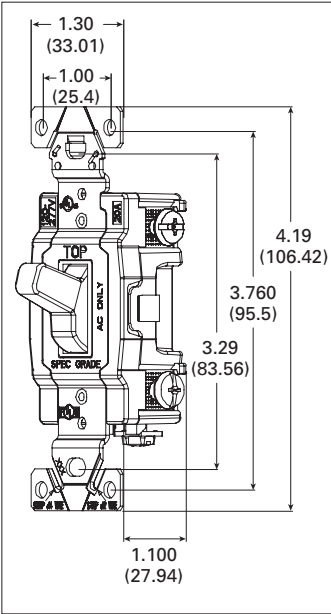


Figure 1. CS/CSB 415, 420

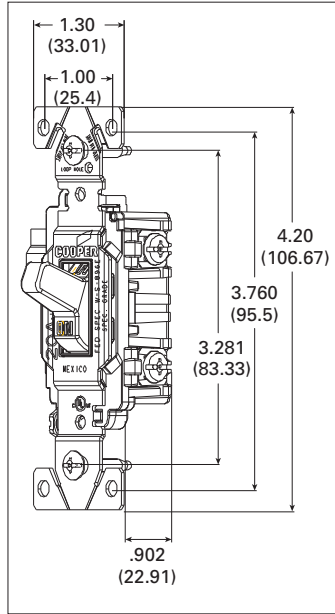


Figure 2. CS/CSB 115, 120, 315, 320

Compliances, specifications and availability are subject to change without notice.

Eaton
 1000 Eaton Boulevard
 Cleveland, OH 44122
 United States
 Eaton.com

Electrical Sector
 203 Cooper Circle
 Peachtree City, GA 30269
 United States
 Eaton.com
 Arrowhart.com

© 2013 Eaton
 All Rights Reserved
 Printed in USA
 Publication No. 125-0063-13
 September 2013