

Project Name:	Prepared By:
Project Number:	Date:
Catalog Number:	Type:

Product Dimensions

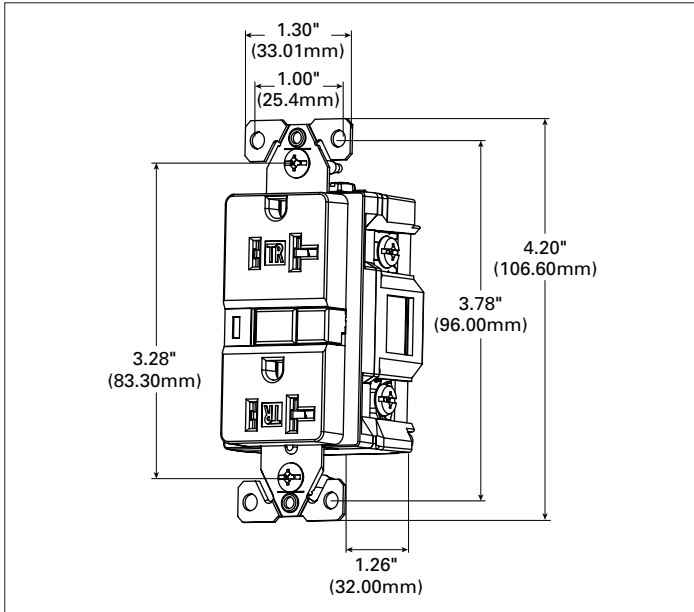


Figure 1. TRAFCI20

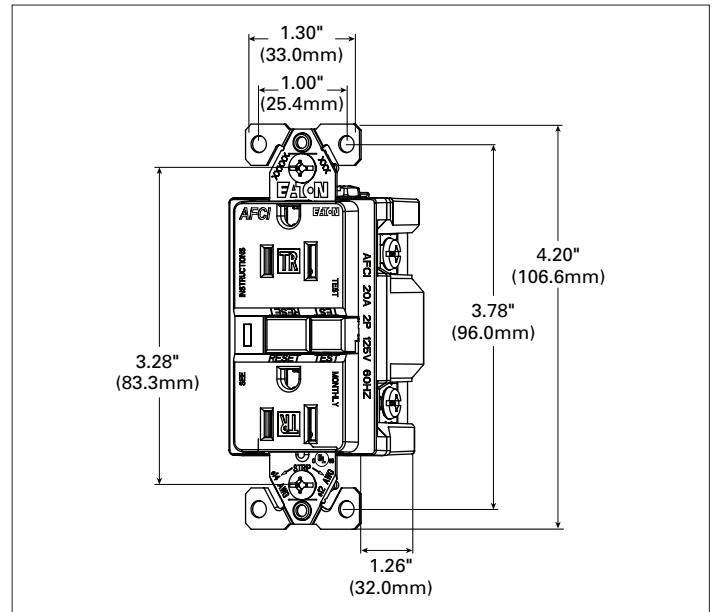


Figure 2. TRAFCI15

Wiring Diagrams

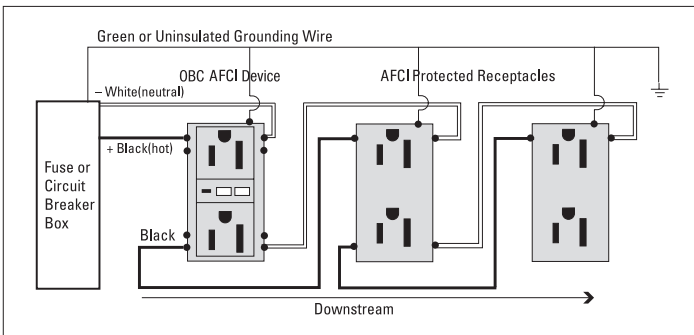


Figure 3. OBC AFCI: Feed-Through Installation with Protection Provided Downstream

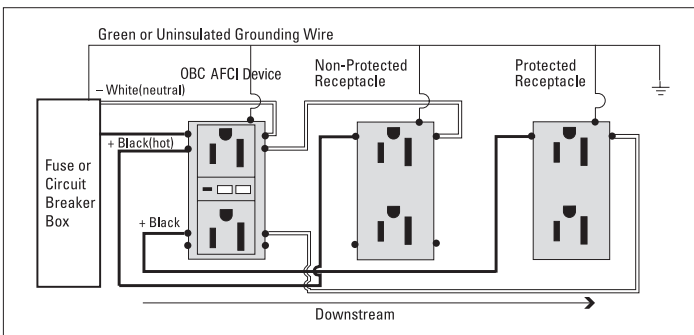


Figure 4. OBC AFCI: Feed-Through Installation with Both Protected and Non-Protected Receptacles Downstream

Technical Data

Effective May 2016

Project Name:	Prepared By:
Project Number:	Date:
Catalog Number:	Type:

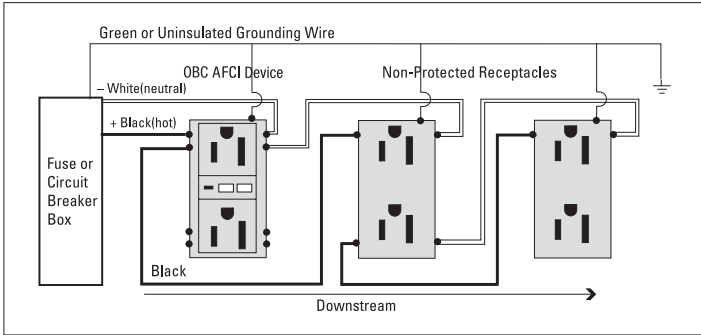



Figure 5. OBC AFCI: Feed-Through Installation with Non-Protected Receptacles Downstream

Certifications & Compliances

Catalog No.	
TRAFCI15	•
TRAFCI20	•

KEY:  cULus

Compliances, specifications and availability are subject to change without notice.

Electrical Sector
203 Cooper Circle
Peachtree City, GA 30269
United States
Eaton.com
Eaton.com/arrowhart

Electrical Sector
Canada Operations
5925 McLaughlin Road
Mississauga, Ontario, L5R 1B8
Canada
EatonCanada.ca
Eaton.com/arrowhart

Electrical Sector
Mexico Operations
Carr. Tlalnepantla -
Cuautitlan Km 17.8 s/n
Col. Villa Jardin esq.
Cerrada 8 de Mayo
Cuautitlan, Mexico CP 54800
Mexico
Eaton.mx
Eaton.com/arrowhart



Eaton
1000 Eaton Boulevard
Cleveland, OH 44122
United States
Eaton.com

© 2016 Eaton
All Rights Reserved
Printed in USA
Publication No. TD610029EN
May 2016

Eaton is a registered trademark.
All other trademarks are property
of their respective owners.