

**CORNER MINETTE WALL-HUNG LAVATORY**

- Vitreous china
- Front overflow
- Supplied with 2 wall hangers
- Faucet ledge.  
Shown with 2000.101 Ceramix faucet  
(not included)

**0451.021**  
Faucet holes on 102mm (4") centers

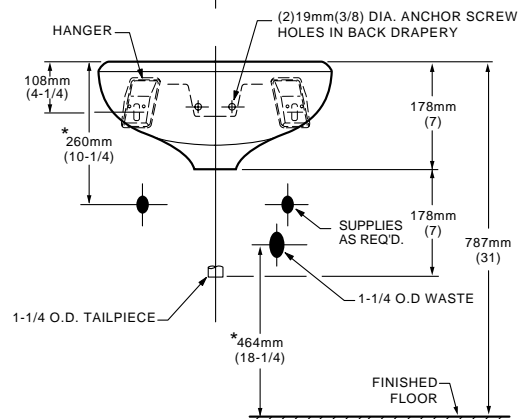
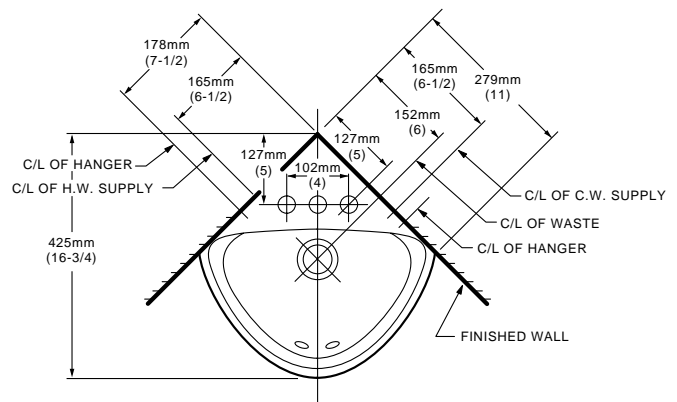
**0451.001**  
Single center faucet hole

Nominal Dimensions:  
279 x 425mm  
(11" x 16-3/4")

Bowl sizes:  
311mm (12-1/4") wide,  
219mm (8-5/8") front to back,  
133mm (5-1/4") deep

**Compliance Certifications -  
Meets or Exceeds the Following Specifications:**

- ASME A112.19.2 for Vitreous China Fixtures



**To Be Specified**

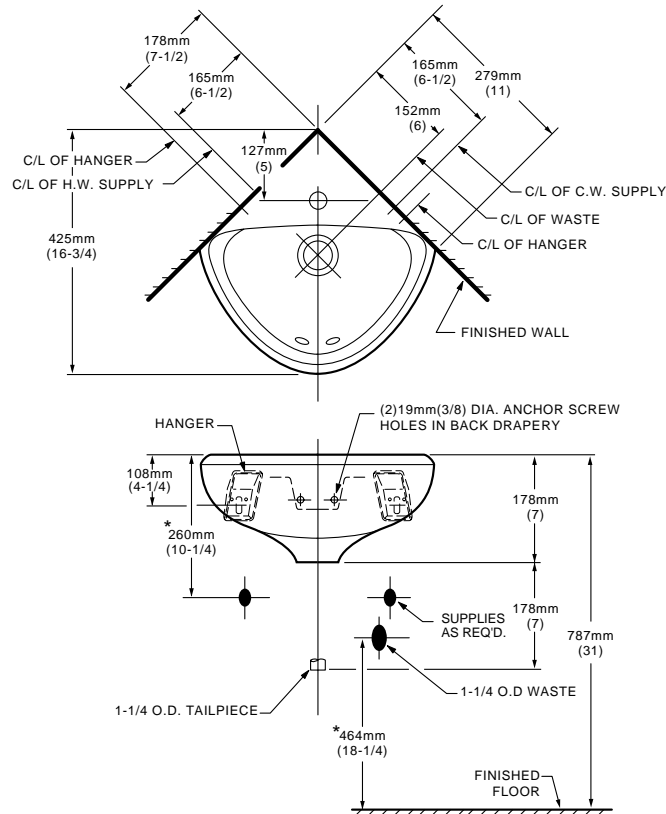
- Color:  White  Bone  Silver  
 Fawn Beige
- Faucet\*:
- Faucet Finish:
- Supplies with Stop:
- 1-1/4" Trap:
- Nipple:

\* See faucet section for additional models available

**NOTE:** Additional roughing-in information shown on reverse side of page

**NOTES:**  
\* DIMENSIONS SHOWN FOR LOCATION OF SUPPLIES AND "P" TRAP ARE SUGGESTED. PROVIDE SUITABLE REINFORCEMENT FOR ALL WALL SUPPORTS. FITTINGS NOT INCLUDED AND MUST BE ORDERED SEPARATELY.  
IMPORTANT: Dimensions of fixtures are nominal and may vary within the range of tolerances established by ANSI Standard A112.19.2. These measurements are subject to change or cancellation. No responsibility is assumed for use of superseded or voided pages.

0451.001 CENTER HOLE FAUCET



**NOTES:**

\* DIMENSIONS SHOWN FOR LOCATION OF SUPPLIES AND "P" TRAP ARE SUGGESTED. PROVIDE SUITABLE REINFORCEMENT FOR ALL WALL SUPPORTS. FITTINGS NOT INCLUDED AND MUST BE ORDERED SEPARATELY.  
IMPORTANT: Dimensions of fixtures are nominal and may vary within the range of tolerances established by ANSI Standard A112.19.2. These measurements are subject to change or cancellation. No responsibility is assumed for use of superseded or voided pages.