

CADET™ 5' X 36" WHIRLPOOL & BATHING POOL

- 2771.018W Whirlpool featuring System I**
 - Acrylic with fiberglass reinforcement
 - Pre-leveled tub bottom
 - Form-fitted backrest position
 - Dual, molded in arm rests
 - 1.5 HP single speed, self-draining pump/motor
 - Factory installed power cord with plug
 - Eight multi-directional and flow-adjustable jets including:
 - Two Ideal-flow jets
 - Four body massage jets
 - Two recessed back-rest jets
 - Deck-mounted air switch On/Off
 - Two silent air volume controls
 - Quick Connect Safe-T-Heater connection system
 - Factory installed and tested whirlpool system

- 2771.018WC EverClean™ Whirlpool Massage Featuring System I:**
 - Same as 2771.018W except with the EverClean™ whirlpool system featuring Antimicrobial AlphaSan®

- 2771.002 Bathing Pool only**

Nominal Dimensions:

1524 x 914 x 502mm
(60" x 36" x 19-3/4")

Compliance Certifications -

Meets or Exceeds the Following Specifications:

- Underwriters Laboratories - Hydromassage Bathtubs UL 1795
- ASME A112.19.7M for Whirlpool Appliances
- ANSI Z124.1 for Plastic Bathtubs
- ASTM E162 for Flammability
- NFPA 258 for Smoke Density

SEE REVERSE FOR ROUGHING-IN DIMENSIONS AND PRODUCT SPECIFICATIONS



To Be Specified - Required:

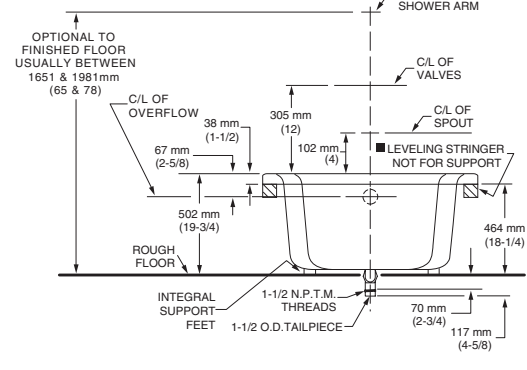
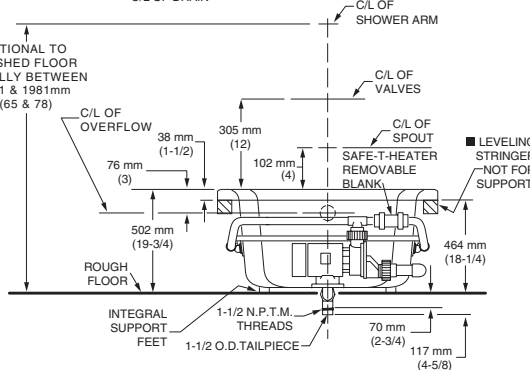
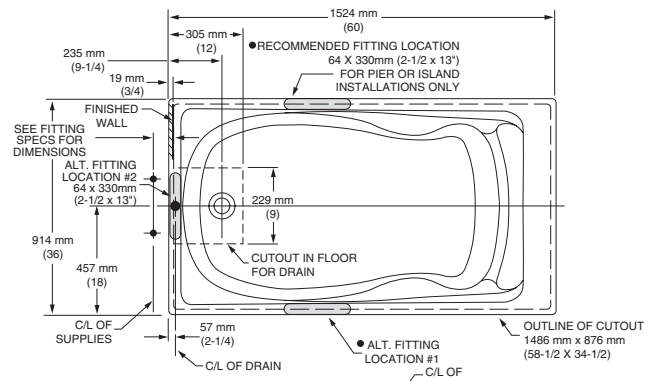
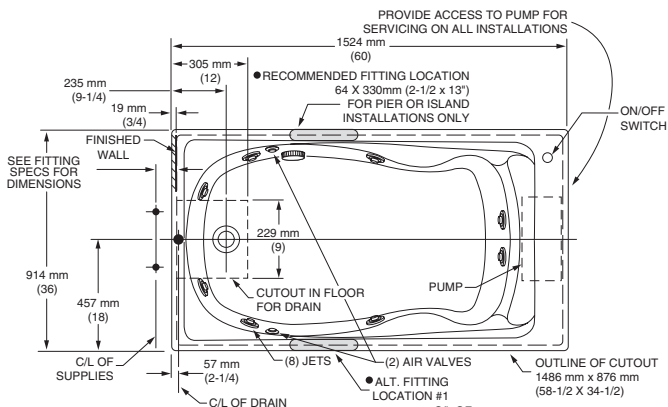
- Color:
- Bath Filler: (specify finish)
- Bath Drain: 1583.470 (specify finish)

To Be Specified - Optional:

- Safe-T-Heater*: 9075.120
- 5 Foot Acrylic Apron: 9360.018 (specify color)
- 5 Foot Apron: 9260.018 (specify color)
- Jet Trim Ring Kit: 9860.200-two per kit (Specify finish) for Body Massage Jets only
- Universal Tile Bead Kit: 751755-100
- Grab Bar Kit: 9822.200-two per kit (specify finish)

For color/finish availability and other faucet choices, please see the Product Selector and Pricing Guide.

* **NOTE:** the Safe-T-Heater is designed to maintain water temperature during operation. It will not heat cold water to desired bathing temperature.



GENERAL SPECIFICATIONS FOR 2771 WHIRLPOOL

INSTALLED SIZE _____ 60 x 36 x 19-3/4 In. (1524 x 914 x 502mm)
 WEIGHT _____ 95 Lbs. (43 Kg.)
 WEIGHT w/WATER _____ 587 Lbs. (267 Kg.)
 GAL. TO OVERFLOW _____ 59 Gal. (224 L.)
 MIN. OPERATING GAL. _____ 48 Gal. (182 L.)
 BATHING WELL AT SUMP _____ 40 x 22 In. (1016 x 559mm)
 BATHING WELL AT RIM _____ 52 x 29 In. (1321 x 737mm)
 WATER DEPTH TO OVERFLOW _____ 13-1/4 In. (337mm)
 FLOOR LOADING _____ 39 Lbs./Sq. Ft. (188 Kgs/Sq. m.)
 (PROJECTED AREA)
 PTS. _____ 23.8
 CUBE (FT³) _____ 44.5

WHIRLPOOL ELECTRICAL SPECIFICATIONS

SYSTEM I PUMP _____ 1.6 HP, 9.7 AMPS, 120V.

GENERAL SPECIFICATIONS FOR 2771 BATHING POOL

INSTALLED SIZE _____ 60 x 36 x 19-3/4 In.
 (1524mm x 914 mm x 502mm)
 WEIGHT _____ 70 Lbs. (32 Kg.)
 WEIGHT w/WATER _____ 562 Lbs. (255 Kg.)
 GAL. TO OVERFLOW _____ 59 Gal. (224 L.)
 BATHING WELL AT SUMP _____ 40 x 22 In. (1016mm x 559mm)
 BATHING WELL AT RIM _____ 52 x 29 In. (1321mm x 737mm)
 WATER DEPTH TO OVERFLOW _____ 13-1/4 In. (337mm)
 FLOOR LOADING _____ 37 LBS./Sq. Ft. (180 Kgs/Sq. m.)
 (PROJECTED AREA)
 PTS. _____ 23.8
 CUBE (FT³) _____ 44.5

NOTES:

BATH CAN BE INSTALLED EITHER ABOVE OR BELOW FLOOR LINE AS PIER, ISLAND, OR PENINSULA TYPE INSTALLATION. SUMP OF BATH IS SUPPORTED BY INTEGRAL FEET. NO ADDITIONAL SUPPORT REQUIRED. ENCLOSING MATERIAL BY OTHERS.

REFER TO INSTALLATION INSTRUCTIONS SUPPLIED WITH WHIRLPOOL FOR ADDITIONAL INFORMATION.

OPTIONAL 3 WALL TILING BEAD. KIT AND APRON NO. 9260.018 OR 9360.018 AVAILABLE AND MUST BE ORDERED SEPARATELY.

FITTINGS NOT INCLUDED AND MUST BE ORDERED SEPARATELY.

PROVIDE SUITABLE REINFORCEMENT FOR ALL SUPPORTS.

IF INSTALLING A DECK-MOUNTED FITTING, BEFORE DRILLING ANY HOLES: CHECK FOR INTERFERENCE WITH CIRCULATING SYSTEM PIPING, DRAIN OVERFLOW, AND APRON INSTALLATION. MOUNTING HOLES DRILLED BY INSTALLER.

IMPORTANT: Dimensions of fixtures are nominal and may vary within the range of tolerances established by ANSI Standard Z124.1 These measurements are subject to change or cancellation. No responsibility is assumed for use of superseded or voided leaflet.