

EVOLUTION™ 5' X 36"

Bathing design with form-fitted backrest and molded-in armrests

- 2771VC Whirlpool w/EverClean® System**
 - EverClean® System
 - Acrylic with fiberglass reinforcement
 - Deep Soak Overflow Drain for maximum water depth
 - 1.4 HP self-draining pump/motor
 - Eight flow adjustable jets including:
 - Two adjustable Ideal Flow Comfort Jets™
 - Six adjustable Comfort Jets™
 - Two silent air volume controls
 - Side-mounted On/Off control
 - Complete factory installed and tested whirlpool system
 - Self leveling feet
 - Undermount installation option
 - Quick connect E-Z-Install™ heater system (must order E-Z-Install™ heater separately)
- 2771V Whirlpool**
 - Same as above without EverClean® System
- 2771V.002 Bathing Pool**

Nominal Dimensions:

60" x 36" x 21-1/2"
(1524 x 914 x 546mm)

Compliance Certifications -

Meets or Exceeds the Following Specifications:

- Underwriters Laboratories - Hydromassage Bathtubs UL 1795
- ASME A112.19.7M for Whirlpool Appliances
- ANSI Z124.1 for Plastic Bathtubs
- ASTM E162 for Flammability
- NFPA 258 for Smoke Density

American Standard whirlpools with EverClean® incorporate a patented silver-ion additive right into the circulation piping to protect the pipes from mold, mildew, algae and fungus that could cause deterioration or staining of the pipes.



Components Required:

- Bath Filler*: (specify finish)
- Bath Drain: 1599.205.XXX (specify color)

Custom Accessories Available:

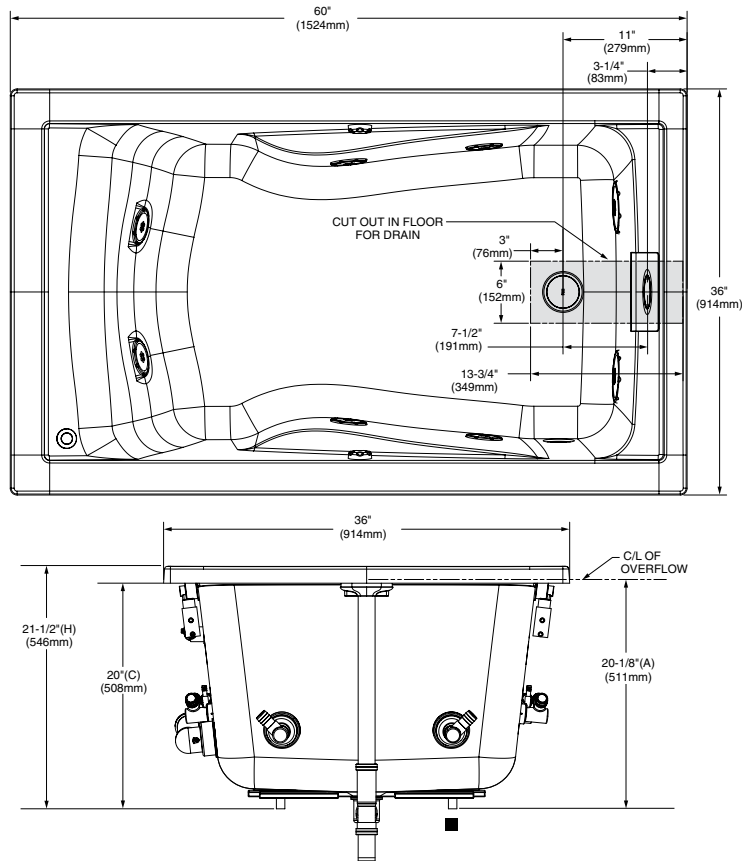
- Safe-T-Heater Whirlpool Heater: 9075.120
- 5 Foot Apron: 9261.019.XXX (specify color)
- Tile Bead Kit: 751755-100

* See American Standard Faucet Selector

For color/finish availability and other faucet choices, please see the Product Selector and Pricing Guide.

NOTE: Whirlpool Heater is designed to maintain water temperature during operation. It will not heat cold water to desired bathing temperature.

SEE REVERSE FOR ROUGHING-IN DIMENSIONS AND PRODUCT SPECIFICATIONS



DIMENSIONS OF FIXTURES ARE NOMINAL AND MAY VARY WITHIN THE RANGE OF TOLERANCES ESTABLISHED BY ANSI STANDARDS Z124.1 AND A112.19.7.

GENERAL SPECIFICATIONS FOR 2771V WHIRLPOOL

INSTALLED SIZE _____ 60 x 36 x 21-1/2 In.
(1524mm x 914 mm x 546mm)
WEIGHT _____ 75 Lbs. (34 Kg.)
WEIGHT w/WATER _____ 800 Lbs. (363 Kg.)
GAL. TO OVERFLOW _____ 87 Gal. (329 L.)
MIN. OPERATING GAL. _____ 50 Gal. (189 L.)
BATHING WELL AT SUMP _____ 41-1/4 x 26-1/4 In.
(1048mm x 667mm)
BATHING WELL AT RIM _____ 52-1/2 x 30 In. (1334mm x 762mm)
WATER DEPTH TO OVERFLOW _____ 18-1/2 In. (470mm)
FLOOR LOADING _____ 53 Lbs./Sq. Ft. (260 Kgs/Sq. m.)
(PROJECTED AREA)

WHIRLPOOL ELECTRICAL SPECIFICATIONS

PUMP _____ 1.4 HP, 9.7 AMPS, 120V.

GENERAL SPECIFICATIONS FOR 2771V BATHING POOL

INSTALLED SIZE _____ 60 x 36 x 21-1/2 (1524 x 914 x 546mm)
WEIGHT _____ 60 Lbs. (27 Kg.)
WEIGHT w/WATER _____ 785 Lbs. (356 Kg.)
GAL. TO OVERFLOW _____ 87 Gal. (329 L.)
BATHING WELL AT SUMP _____ 41-1/4 x 26-1/4 In. (1048 x 667mm)
BATHING WELL AT RIM _____ 52-1/2 x 30 In. (1334 x 762mm)
WATER DEPTH TO OVERFLOW _____ 18-1/2 (470mm)
FLOOR LOADING _____ 52 Lbs./Sq.Ft. (255 Kgs./Sq.m)
(PROJECTED AREA)

NOTES:

BATH CAN BE INSTALLED EITHER ABOVE OR BELOW FLOOR LINE AS PIER, ISLAND, OR PENINSULA TYPE INSTALLATION. SUPPORT OF BATH BY SUMP BEDDING. SUPPORT AND ENCLOSING MATERIAL BY OTHERS.

REFER TO INSTALLATION INSTRUCTIONS SUPPLIED WITH WHIRLPOOL FOR ADDITIONAL INFORMATION.

■ OPTIONAL 3 WALL TILING BEAD. KIT No. TILE-BEAD AND APRON No. 5FT-APRON AVAILABLE AND MUST BE ORDERED SEPARATELY.

FITTINGS NOT INCLUDED AND MUST BE ORDERED SEPARATELY.

PROVIDE SUITABLE REINFORCEMENT FOR ALL SUPPORTS.

IMPORTANT: Dimensions of fixtures are nominal and may vary within the range of tolerances established by ANSI Standard Z124.1. These measurements are subject to change or cancellation. No responsibility is assumed for use of superseded or voided leaflet.