

**EVOLUTION™ 5' x 32"**

Comfortable bathing design with form-fitted backrest and molded-in armrests

- 2422VA Air Spa (specify color)**
  - Acrylic with fiberglass reinforcement
  - Deep Soak overflow drain
  - 1.25 HP pump/motor
  - 8 Comfort Air Jets
  - Side-mounted On/Off control
  - Complete factory installed and tested whirlpool system
  - Self leveling feet
  - Designed for undermount installation option
  
- 2422VAC (specify color)**
  - Same as above except with the EverClean™ whirlpool system featuring Antimicrobial AlphaSan®
  
- 2422VC EverClean™ Hydro Massage Featuring System I**
  - Features Antimicrobial AlphaSan®
  - Deep Soak overflow drain
  - 1.4 HP single speed pump/motor
  - Side-mounted air switch On/Off
  - Eight Jet system featuring:
    - Two flow adjustable Comfort Jets™ Hi-Flo Jets
    - Six flow adjustable Comfort Jets™ including two in lumbar area
  - Two silent air volume controls
  - Undermount installation option
  - Quick connect E-Z-Install™ heater system (must order E-Z-Install™ heater separately)
  
- 2422V**
  - Same as 2422VC without Antimicrobial AlphaSan®

**Nominal Dimensions:**

60" x 32" x 21-1/2"  
(1524 x 813 x 546mm)

**Compliance Certifications -**

**Meets or Exceeds the Following Specifications:**

- Underwriters Laboratories - Hydromassage Bathtubs UL 1795
- ASME A112.19.7M for Whirlpool Appliances
- ANSI Z124.1 for Plastic Bathtubs
- ASTM E162 for Flammability
- NFPA 258 for Smoke Density

SEE REVERSE FOR ROUGHING-IN DIMENSIONS AND PRODUCT SPECIFICATIONS



**Components Required:**

- Bath Filler\*: (specify finish)
- Bath Drain: 1599.205.XXX (specify color)

**Custom Accessories Available:**

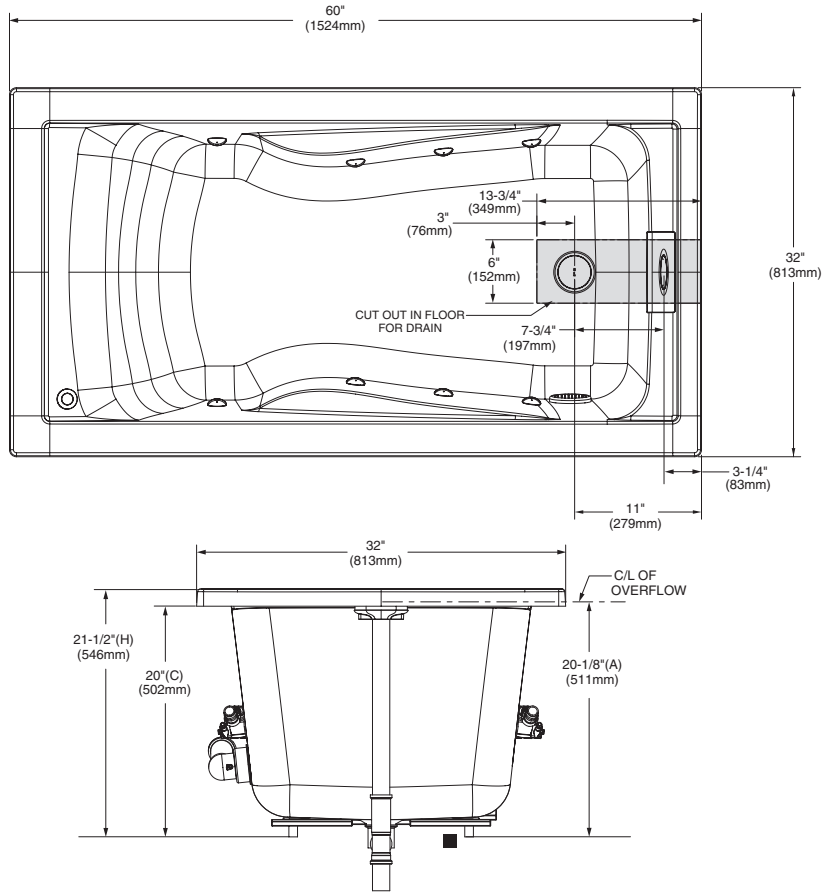
- E-Z-Install™ Whirlpool Heater - EZHEAT-100
- 5 Foot Apron: 9261.019.XXX (specify color)
- Tile Bead Kit: TILE-BEAD

\* See American Standard Faucet Selector

For color/finish availability and other faucet choices, please see the Product Selector and Pricing Guide.

**NOTE:** E-Z-Install™ Whirlpool Heater is designed to maintain water temperature during operation. It will not heat cold water to desired bathing temperature.

Model 2422VA  
shown



DIMENSIONS OF FIXTURES ARE NOMINAL AND MAY VARY WITHIN THE RANGE OF TOLERANCES ESTABLISHED BY ANSI STANDARDS Z124.1 AND A112.19.7.

<b>GENERAL SPECIFICATIONS FOR 2422V BATHING POOL</b>	
INSTALLED SIZE	60 x 32 x 21-1/2 In. (1524 x 813 x 546mm)
WEIGHT	74 Lbs. (34 Kg.)
WEIGHT w/WATER	690 Lbs. (313 Kg.)
GAL. TO OVERFLOW	74 Gal. (280 L)
WHIRLPOOL MIN. OPERATING VOL.	33 Gal. (125 L)
BATHING WELL AT SUMP	41-1/4 x 22-1/4 In. (1048 x 565mm)
BATHING WELL AT RIM	52-1/4 X 26 In. (1327 x 660mm)
WATER DEPTH TO OVERFLOW	18-1/2 In. (470mm)
FLOOR LOADING (PROJECTED AREA)	52 Lbs./Sq.Ft. (253 Kgs./Sq.m)
<b>WHIRLPOOL ELECTRICAL SPECIFICATIONS</b>	
PUMP	1.25 HP, 9.7 AMPS, 120V.

**NOTES:**

BATH CAN BE INSTALLED EITHER ABOVE OR BELOW FLOOR LINE AS PIER, ISLAND, OR PENINSULA TYPE INSTALLATION. SUPPORT OF BATH BY SUMP BEDDING. SUPPORT AND ENCLOSING MATERIAL BY OTHERS.

■ REFER TO INSTALLATION INSTRUCTIONS SUPPLIED WITH WHIRLPOOL FOR ADDITIONAL INFORMATION.

FITTINGS NOT INCLUDED AND MUST BE ORDERED SEPARATELY.

PROVIDE SUITABLE REINFORCEMENT FOR ALL SUPPORTS.

**IMPORTANT:** Dimensions of fixtures are nominal and may vary within the range of tolerances established by ANSI Standard Z124.1 These measurements are subject to change or cancellation. No responsibility is assumed for use of superseded or voided leaflet.