

**MAINSTREAM® FloWise® RIGHT HEIGHT®
ROUND FRONT COMPLETE TOILET**

3472.128

- Vitreous china
- Meets definition for HET (High Efficiency Toilet)
- High Efficiency (1.28 gpf/4.8 Lpf)
- Meets EPA WaterSense® criteria
- 16-1/2" rim height for accessible applications
- Round front siphon action bowl with direct-fed jet
- Generous 9" x 8" water surface area
- Fully glazed 2" Trapway
- Sanitary dam on bowl with three point tank stabilization
- Pilot Valve Water Control
- 2" Flapper flush valve
- Chrome trip lever
- 2 color-matched bolt caps
- Includes color-matched solid plastic seat
- Wax ring gasket with closet bolts
- 100% factory flush tested
- Lifetime warranty on chinaware, 5 year warranty on all mechanical parts, and 1 year warranty on seat



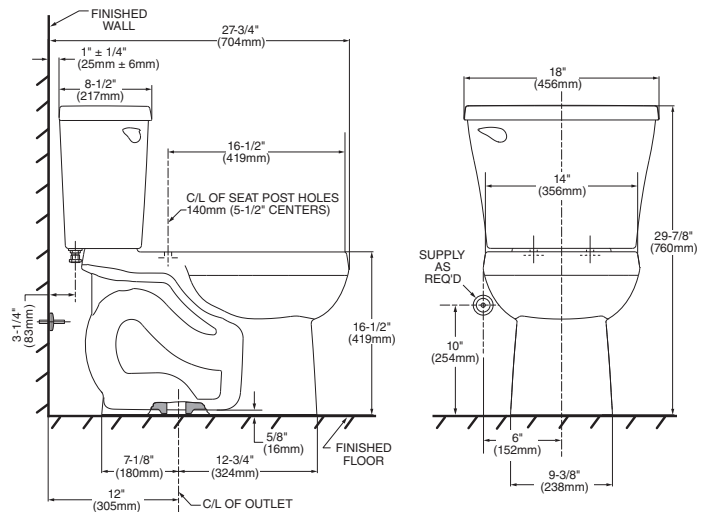
Nominal Dimensions:

704 x 456 x 760mm
(27-3/4" x 18" x 29-7/8")

Compliance Certifications -

Meets or Exceeds the Following Specifications:

- ASME A112.19.2-2008/CSA B45.1-08 for Vitreous China Fixtures
- US EPA WaterSense® Specification for HET's



NOTES:
THIS COMBINATION IS DESIGNED TO ROUGH-IN AT A MINIMUM DIMENSION OF 305MM (12") FROM FINISHED WALL TO C/L OF OUTLET.
* DIMENSION SHOWN FOR LOCATION OF SUPPLY IS SUGGESTED.
SUPPLY NOT INCLUDED WITH FIXTURE AND MUST BE ORDERED SEPARATELY.

IMPORTANT: Dimensions of fixtures are nominal and may vary within the range of tolerance established by ANSI Standard A112.19.2
These measurements are subject to change or cancellation. No responsibility is assumed for use of superseded or voided pages.

To Be Specified:

- Color: White Bone
- Supply with stop:



MEETS THE AMERICANS WITH DISABILITIES ACT GUIDELINES AND ICC ANSI A117.1 REQUIREMENTS FOR ACCESSIBLE AND USABLE BUILDING FACILITIES-CHECK LOCAL CODES.

