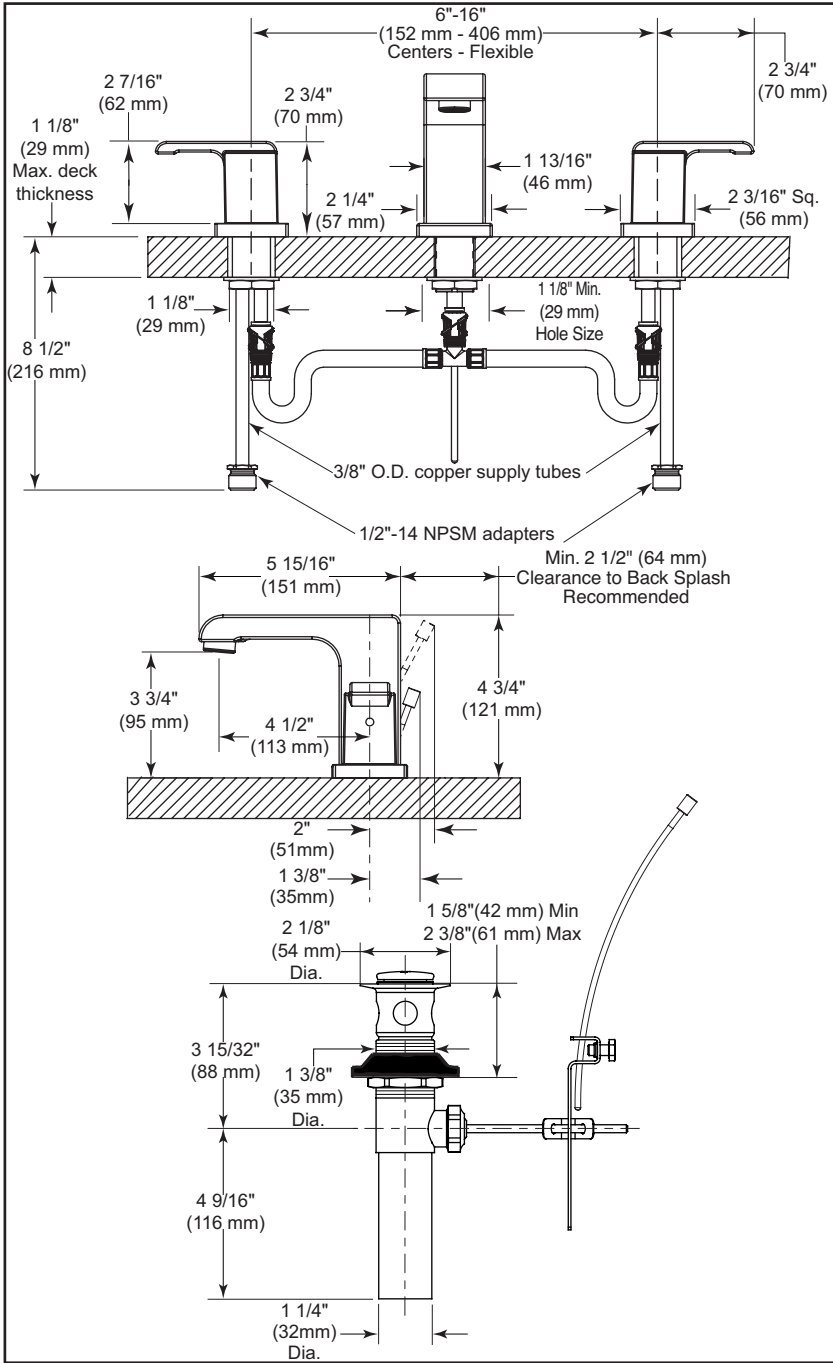


3586LF-MPU



Submitted Model No.: \_\_\_\_\_  
 Specific Features: \_\_\_\_\_



# LAVATORY FAUCETS

- Arzo® Series
- Two Handle Widespread Deck Mount
- 3 Hole Sink Applications

## STANDARD SPECIFICATIONS

- Widespread - 6" (152 mm) to 16" (406 mm) centers.
- 4 1/2" (114 mm) long, 4 3/4" (121 mm) high, rigid spout.
- Solid brass fabricated end valve and spout bodies.
- Hot and cold stems are interchangeable.
- 1/4 turn handle stops
- Control mechanism shall be of the rotating cylinder type with stainless steel plate and 180° rotation, with replaceable non-metallic seats operating in stainless steel lined sockets.
- 3/8" O.D. copper supply tubes with 1/2"-14 NPSM adapters.
- Metal drain pop-up type fitting with plated flange and stopper.
- Quick - Snap® installation.
- Maximum flow rate 1.5 gpm @ 60 PSI.
- Colour coded plug buttons on handles for hot/cold identification.
- Standard mounting deck thickness can be extended 1" with RP10612.

## WARRANTY

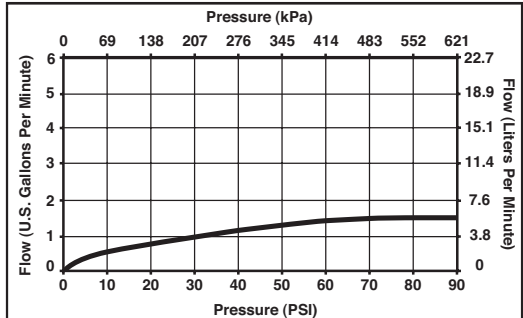
- Lifetime Faucet and Finish Limited Warranty to the Original consumer purchaser to be free from defects in material and workmanship.
- 5 Year Limited Warranty for usage in all Industrial, Commercial and business applications.



## COMPLIES WITH

- ASME A112.18.1 / CSA B125.1
- ASME A112.18.2 / CSA B125.2
- NSF 61
- Indicates compliance to ICC / ANSI A117.1
- EPA WaterSense
- CSA Certified

Verified compliant with 0.25% weighted average Pb content regulations.



▲ Designate proper finish suffix

Delta reserves the right (1) to make changes in specifications and materials, and (2) to change or discontinue models, both without notice or obligation. Dimensions are for reference only. See full-line price book or www.specselect.com for finish options and product availability.



55 E. 111th Street, Indianapolis, Indiana 46280  
 350 South Edgeware Road, St. Thomas, ON N5P 4L1  
 © 2011 Masco Corporation of Indiana