

see what Delta can do™

BATHROOM FAUCETS

■ Single Handle Deck Mount

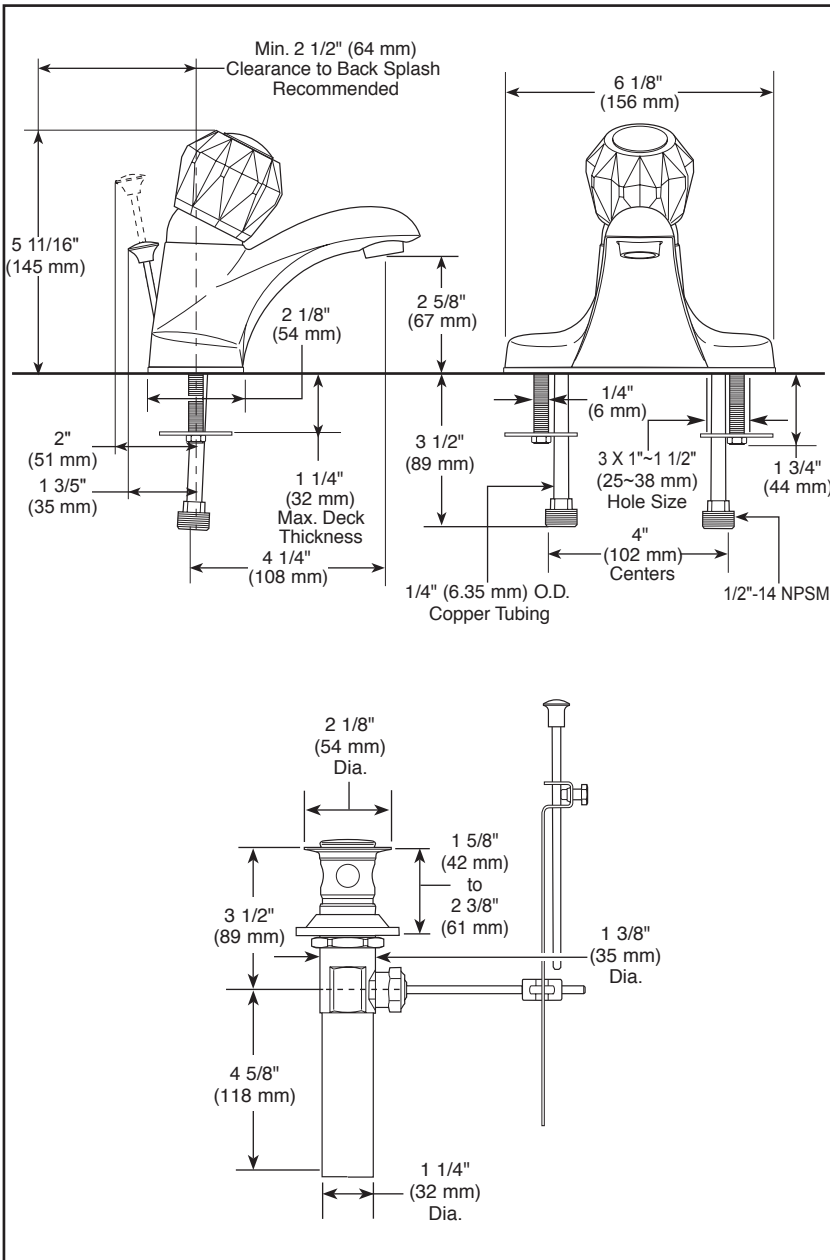
Submitted Model No.: _____
 Specific Features: _____

STANDARD SPECIFICATIONS:

- Max flow rate 1.2 gpm @ 60 psi, 4.5 L/min @ 414 kPa
- Solid brass fabricated body
- Three hole mount
- All operating parts shall be replaceable from the top
- Control mechanism is the rotating stainless steel ball type with replaceable non-metallic seats
- Control handle shall return to neutral position when valve is turned off
- Models include metal pop-up type fitting with plated metal flange and stopper cap

WARRANTY

- Parts and Finish - Lifetime limited warranty; or for commercial purchasers, 10 years for multi-family residential (apartments and condominiums) and 5 years for all other commercial uses, in each case from the date of purchase.
- Electronic Parts and Batteries (if applicable) - 5 years from the date of purchase; or for commercial purchasers, 1 year from the date of purchase. No warranty is provided on batteries.



COMPLIES WITH:

- ASME A112.18.1 / CSA B125.1
- ASME A112.18.2 / CSA B125.2
- Indicates compliance to ICC/ANSI A117.1
- EPA WaterSense®
- Verified compliant with 0.25% weighted average Pb content regulations.

Delta reserves the right (1) to make changes in specifications and materials, and (2) to change or discontinue models, both without notice or obligation. Dimensions are for reference only. See current full-line price book or www.deltafaucet.com for finish options and product availability.