

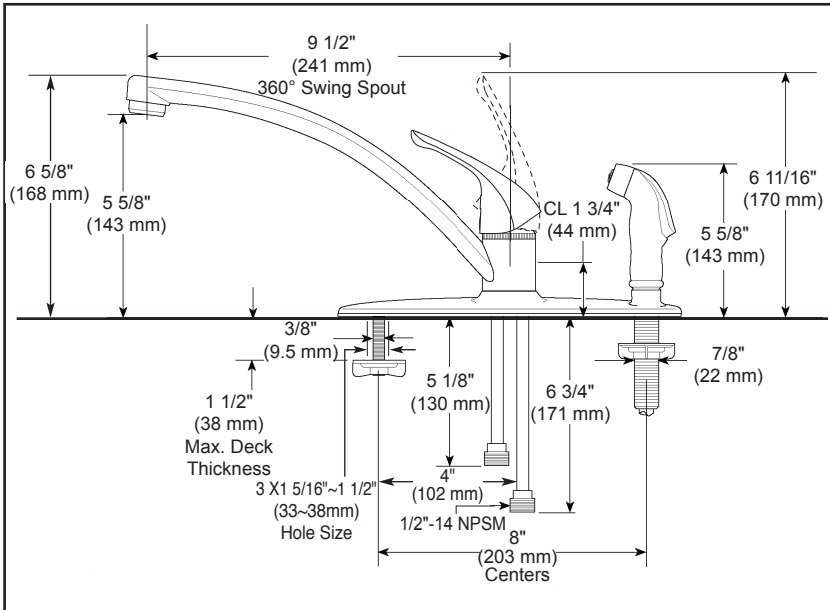
## KITCHEN FAUCET

- Single Handle, Deck Mount
- 3 Hole Sink Applications

Submitted Model No.: \_\_\_\_\_  
 Specific Features: \_\_\_\_\_

### STANDARD SPECIFICATIONS

- Maximum flow rate 1.8 gpm @ 60 PSI, 6.8 L/min @ 414 kPa.
- Solid brass fabricated body.
- 8" (203 mm) centers.
- 9 1/2" (241 mm) long, 6 5/8" (168 mm) high spout swings 360°.
- Lever handle.
- Replaceable rotating ball valve with replaceable non-metallic seats.
- 1/2" -14 NPSM threaded male inlet adapters.
- Model with spray attachment has antisiphon device as integral part of valve body.
- Min. 2 1/2" (64 mm) clearance to back splash recommended



### WARRANTY

- Lifetime limited warranty on parts (other than electronic parts and batteries) and finishes; or for commercial users, for 5 years from the date of purchase.
- 5 year limited warranty on electronic parts (other than batteries); or for commercial users, for 1 year from the date of purchase. No warranty is provided on batteries.

▲ Designate proper finish suffix

### COMPLIES WITH

- ASME A112.18.1 / CSA B125.1



- Verified compliant with 0.25% weighted average Pb content regulations.

Delta reserves the right (1) to make changes in specifications and materials, and (2) to change or discontinue models, both without notice or obligation. Dimensions are for reference only. See full-line price book or [www.deltafaucet.com](http://www.deltafaucet.com) for finish options and product availability.

DSP-K-13900LF Rev. C



55 E. 111th Street, Indianapolis, Indiana 46280  
 350 South Edgeware Road, St. Thomas, Ontario Canada N5P 4L1  
 © 2015 Masco Corporation of Indiana