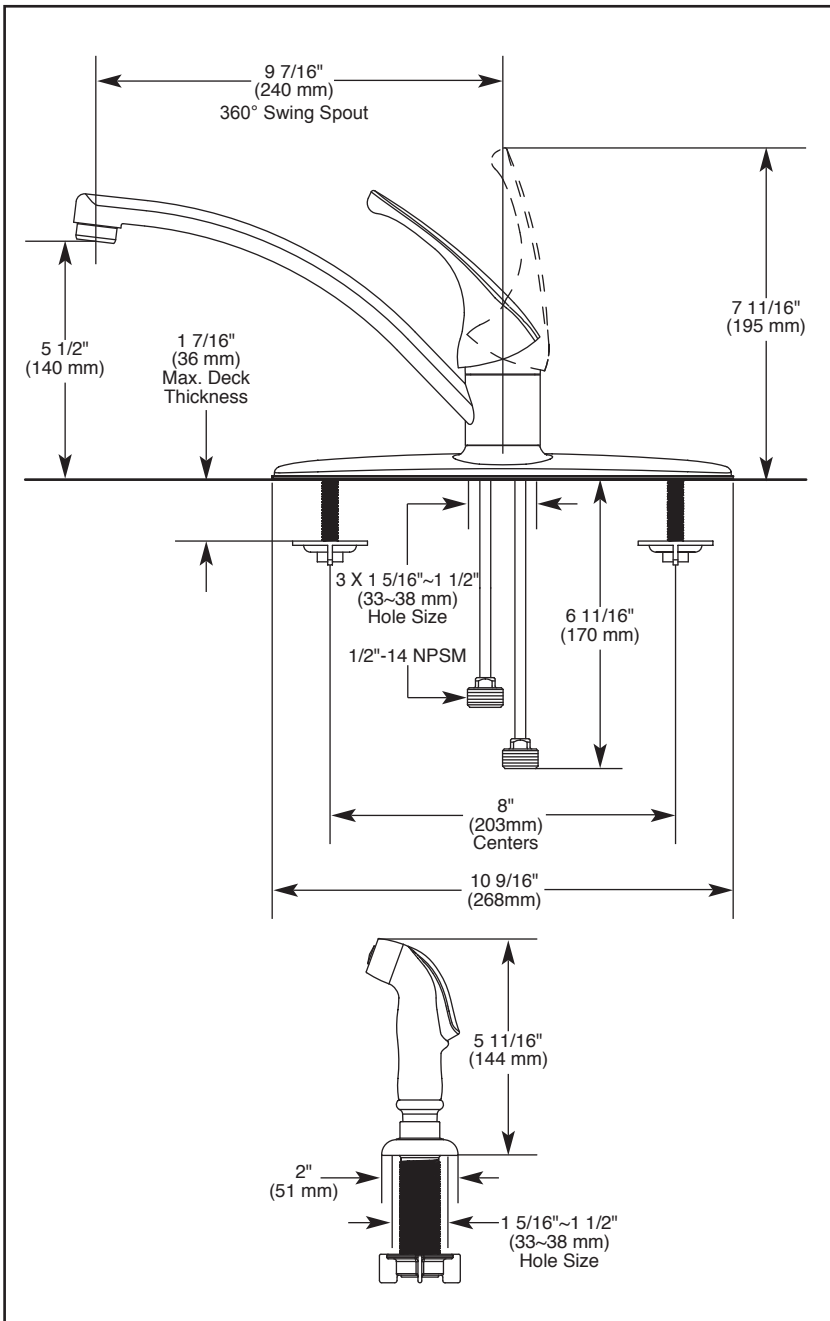


Submitted Model No.: _____
 Specific Features: _____



▲ Designate proper finish suffix

Delta reserves the right (1) to make changes in specifications and materials, and (2) to change or discontinue models, both without notice or obligation. Dimensions are for reference only. See current full-line price book or www.deltafaucet.com for finish options and product availability.

DSP-K-10900LF Rev. C



KITCHEN FAUCETS

- Single Handle Deck Mount
- 3 and 4 Hole Sink Applications

STANDARD SPECIFICATIONS

- Maximum flow rate 1.8 gpm @ 60 PSI, 6.8 L/min @ 414 kPa.
- Single handle kitchen faucet for exposed mounting on 3 and 4 hole sinks with 8" centers.
- 9 7/16" (240 mm) long spout swings 360°.
- Replaceable rotating ball valve with replaceable non-metallic seats.
- Vegetable sprayer hose installation on model 10901LF series.
- 1/2" -14 NPSM threaded male inlet adapters.

WARRANTY

- Lifetime limited warranty on parts (other than electronic parts and batteries) and finishes; or for commercial users, for 5 years from the date of purchase.
- 5 year limited warranty on electronic parts (other than batteries); or for commercial users, for 1 year from the date of purchase. No warranty is provided on batteries.

COMPLIES WITH

- ASME A112.18.1 / CSA B125.1

Indicates compliance to ICC / ANSI A117.1

Verified compliant with 0.25% weighted average Pb content regulations.



55 E. 111th Street, Indianapolis, Indiana 46280
 350 South Edgeware Road, St. Thomas, Ontario Canada N5P 4L1
 © 2015 Masco Corporation of Indiana