



LAVATORY FAUCETS

- Nura™ Collection
- Diamond Seal® Technology
- Single Handle Deck Mount
- 1 or 3 Hole Sink Applications

STANDARD SPECIFICATIONS:

- Single handle lavatory deck faucets for exposed mounting on 1 or 3 hole sinks.
- Solid brass fabricated body.
- 5 1/2" (140 mm) long spout.
- Lever handle. Control mechanism is the diamond embedded ceramic disc cartridge.
- Control handle shall return to neutral position when valve is turned off.
- 3/8" O.D. straight, staggered pex supply tubes 35" (889 mm) and 36" (914 mm) long.
- Maximum flow rate 1.5 gpm @ 60 PSI.
- Models have drain with pop-up type fitting with plated flange and stopper.

WARRANTY

- Lifetime limited warranty on parts (other than electronic parts and batteries) and finishes: or, for commercial users, for 5 years from date of purchase.
- 5 year limited warranty on electronic parts (other than batteries); or, for commercial users, for 1 year from the date of purchase. No warranty is provided on batteries.

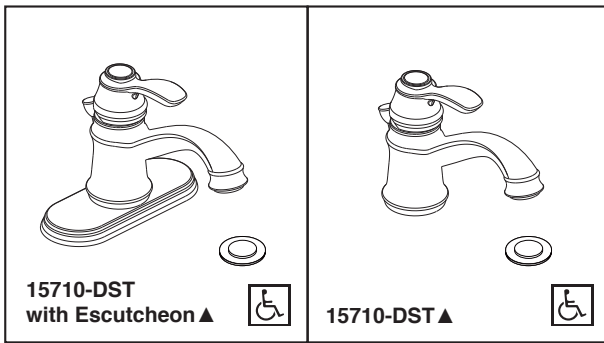
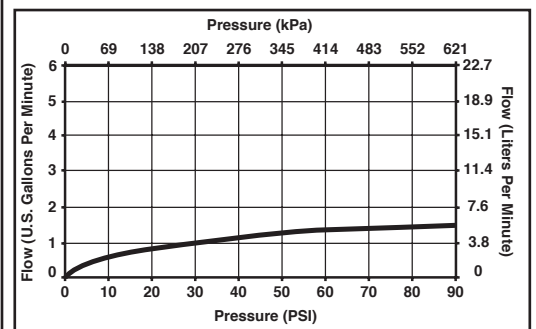


COMPLIES WITH:

- ASME A112.18.1 / CSA B125.1
- ASME A112.18.2 / CSA B125.2
- ASME A112.18.6

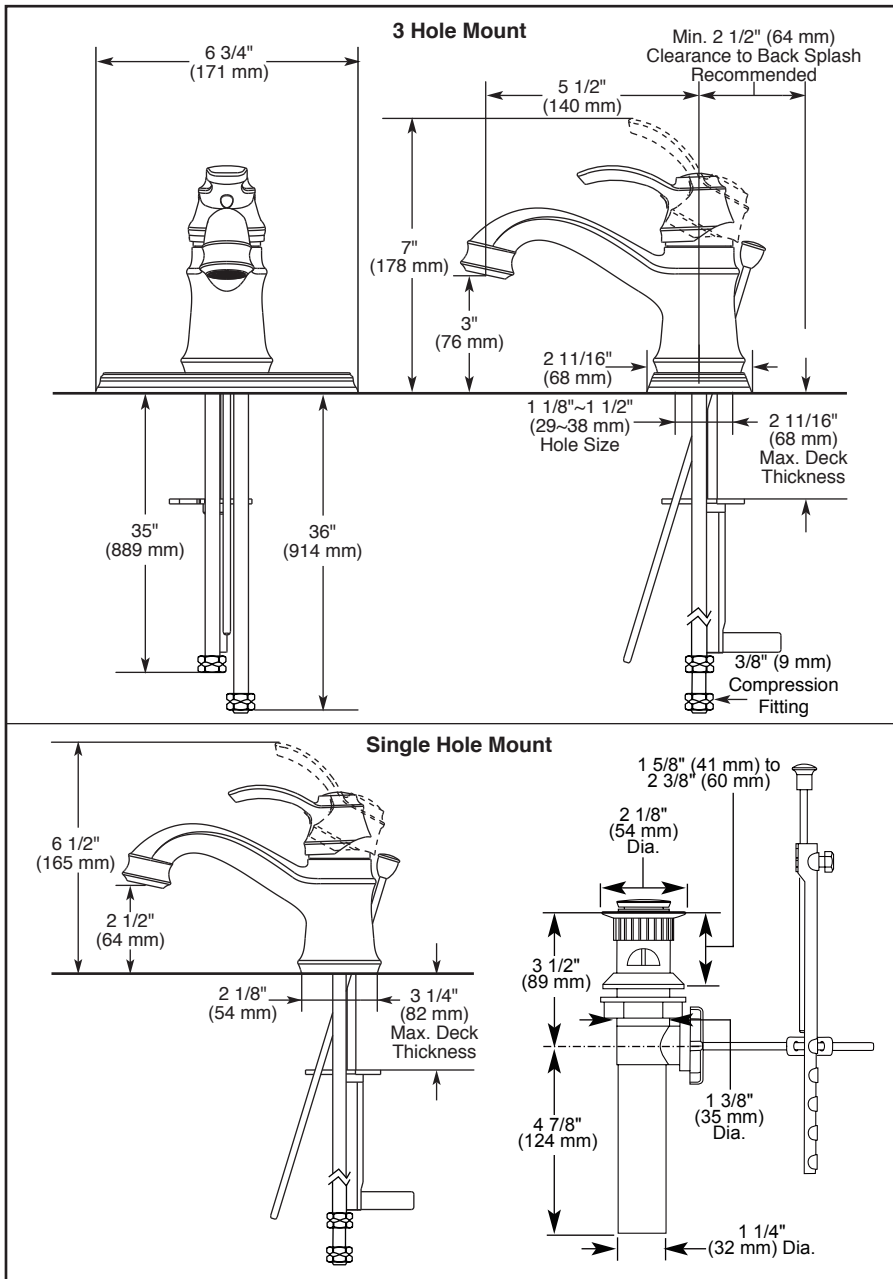
♿ Indicates compliance to ICC/ANSI A117.1

- CSA Certified
- EPA WaterSense®
- Verified compliant with 0.25% weighted average Pb content regulations.



Submitted Model No.: _____

Specific Features: _____



▲ Designate Proper Finish Suffix

Delta reserves the right (1) to make changes in specifications and materials, and (2) to change or discontinue models, both without notice or obligation. Dimensions are for reference only. See current full-line price book or www.deltafaucet.com for finish options and product availability.

DSP-L-15710-DST Rev. B



55 E. 111th Street, Indianapolis, Indiana, 46280
 350 South Edgeware Rd., St. Thomas, Ontario N5P 4L1
 © 2013 Masco Corporation of Indiana