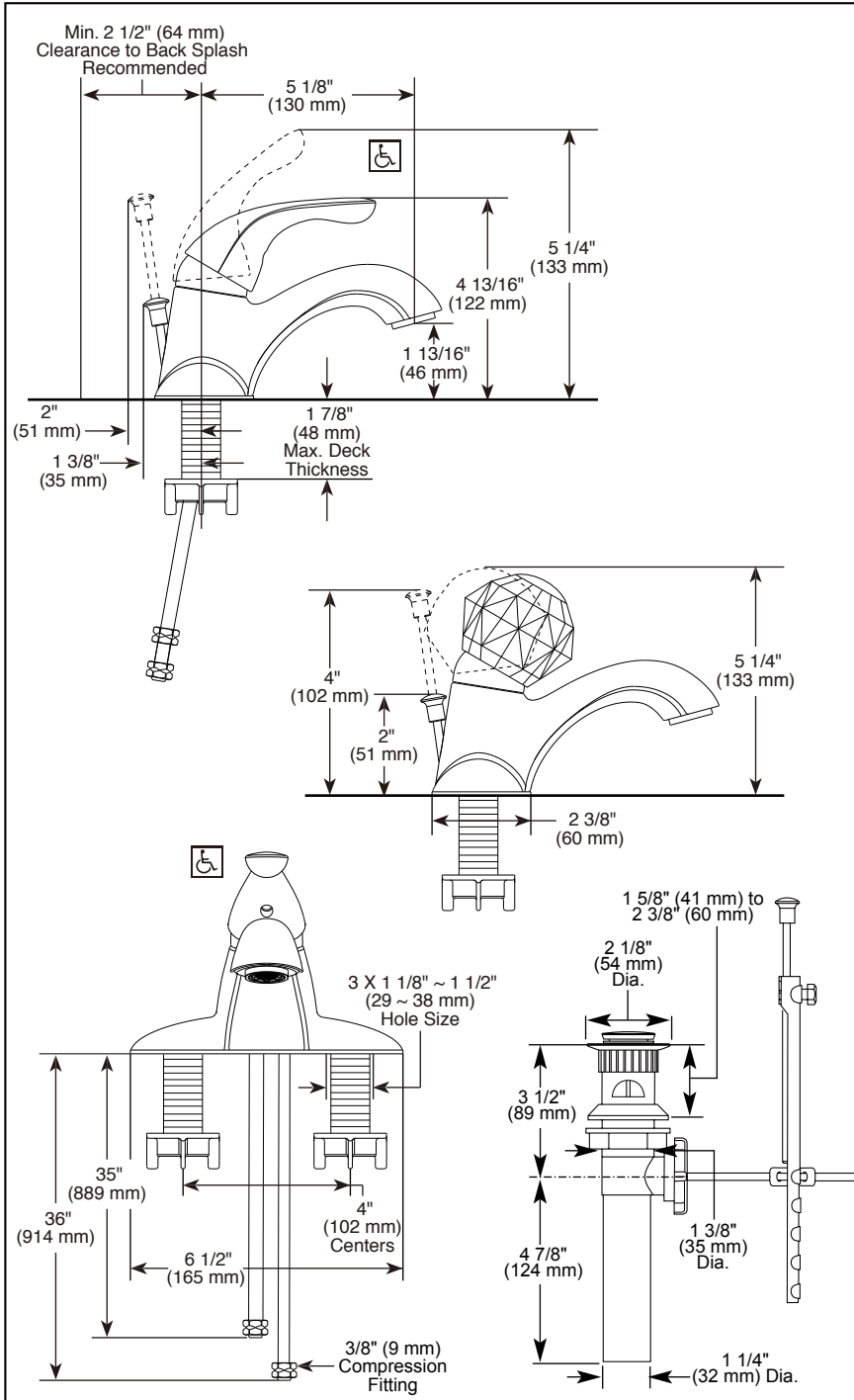




521-DST ▲

Submitted Model No.: _____

Specific Features: _____



▲ Designate Proper Finish Suffix

Delta reserves the right (1) to make changes in specifications and materials, and (2) to change or discontinue models, both without notice or obligation. Dimensions are for reference only. See current full-line price book or www.deltafaucet.com for finish options and product availability.
DSP-L-521-DST Rev. B



LAVATORY FAUCETS

- Classic Series
- Diamond Seal® Technology
- Single Handle Deck Mount
- 3 Hole Sink Applications
- 4" Centerset

STANDARD SPECIFICATIONS:

- 4" (102 mm) centerset.
- 5 1/8" (130 mm) long spout.
- Lever and knob handle. Control mechanism is the diamond embedded ceramic disc cartridge.
- Control handle shall return to neutral position when valve is turned off.
- 3/8" O.D. straight, staggered pex supply tubes - 35" (889 mm) and 36" (914 mm) long.
- Models have plastic pop-up type fitting with plated flange and stopper.
- Models have a maximum 1.5 gpm flowrate @ 60 PSI.

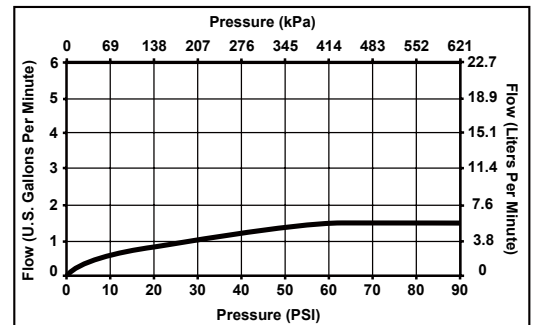
WARRANTY

- Lifetime Faucet and Finish Limited Warranty to the Original consumer purchaser to be free from defects in material and workmanship.
- 5 Year Limited Warranty for usage in all industrial, Commercial and Business applications.



COMPLIES WITH:

- ASME A112.18.1 / CSAB125.1
 - ASME A112.18.2 / CSAB125.2
 - ICC/ANSI A117.1
 - EPA WaterSense®
- Verified compliant with .25% weighted average Pb content regulations.



55 E. 111th Street, Indianapolis, Indiana, 46280
350 South Edgeware Rd., St. Thomas, Ontario N5P 4L1
© 2013 Masco Corporation of Indiana