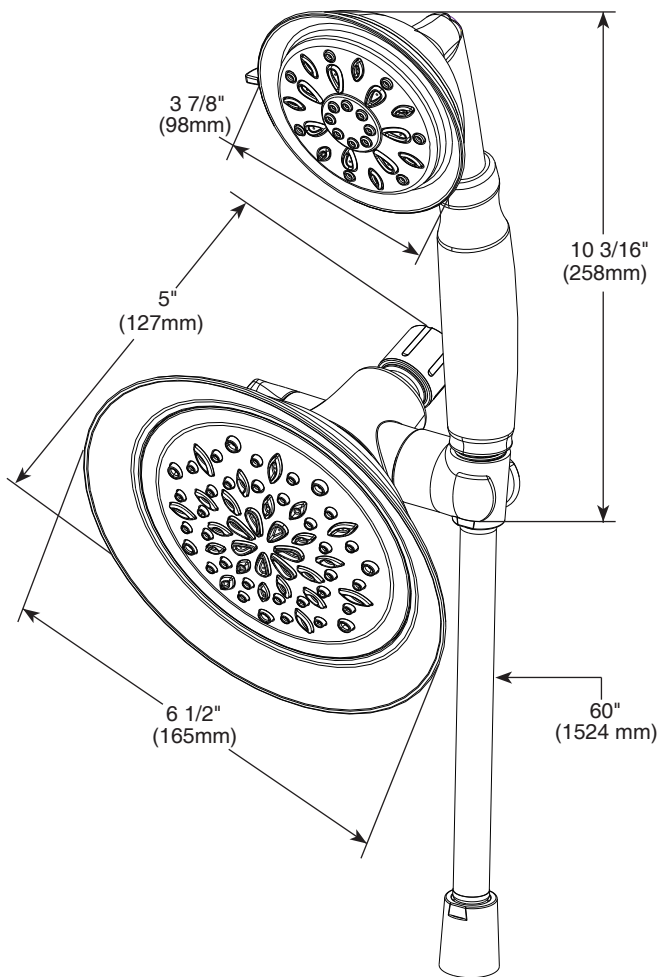


75514▲

Submitted Model No.: _____

Specific Features: _____

75514▲ 2.5 GPM



-  Full Spray
-  Fast Massage Spray
-  Slow Massage Spray
-  Full Spray w/ Massage
-  Pause

▲ Designate proper finish suffix



- Combination shower
- Touch-Clean® nozzles
- 5-spray settings handshower

STANDARD SPECIFICATIONS:

- 3-way diverter / mount for handshower.
- 6 1/2" full spray showerhead.
- 60" (1524mm) ribbon hose.
- Operate handshower, showerhead or use both at the same time.
- Maximum water consumption 2.5 gpm (9.5 L/min) @ 80 psi.
- Actual water consumption 1.0 gpm (3.8 L/min) @ 45 psi.
- For use with automatic compensating valves rated at 1.0 gpm (3.8 L/min) or less.

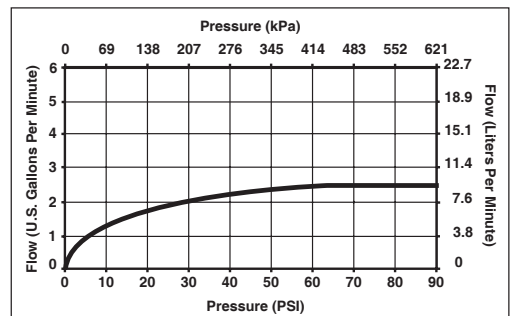
WARRANTY

- Lifetime limited warranty on parts (other than electronic parts and batteries) and finishes; or for commercial users, for 5 years from the date of purchase.
- 5 year limited warranty on electronic parts (other than batteries); or for commercial users, for 1 year from the date of purchase. No warranty is provided on batteries



COMPLIES WITH

- ASME A112.18.1/CSA B125.1



55 E. 111th Street, Indianapolis, Indiana 46280
 350 South Edgeware Road, St. Thomas, Ontario Canada N5P 4L1
 © 2012 Masco Corporation of Indiana

Delta reserves the right (1) to make changes in specifications and materials, and (2) to change or discontinue models, both without notice or obligation. Dimensions are for reference only. See current full-line price book or www.specselect.com for finish options and product availability.