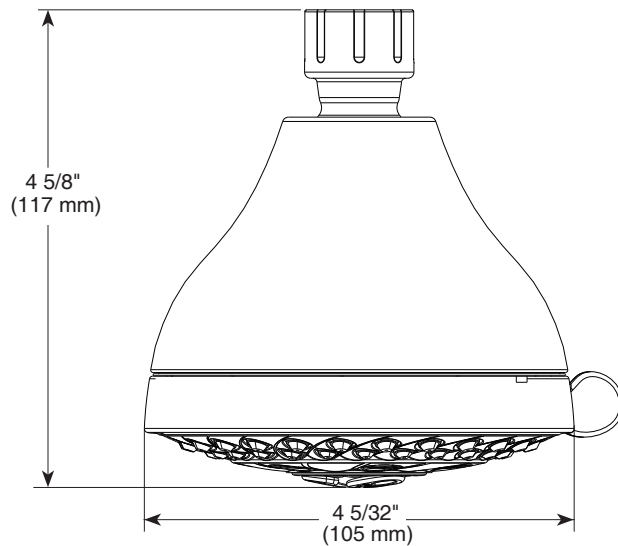


75569 ▲

Submitted Model No.: \_\_\_\_\_

Specific Features: \_\_\_\_\_

75569 ▲ 2.0 GPM



-  H<sub>2</sub>Okinetic™  
Spray
-  Full Spray
-  Massage  
Spray
-  Full Spray  
w/ Massage
-  Pause



# SHOWERHEAD

- H<sub>2</sub>O Kinetic Technology™ showerhead
- Touch-Clean® nozzles

## STANDARD SPECIFICATIONS:

- ABS showerhead with five settings – not a positive shut-off.
- Standard 1/2" pipe fitting.
- Easy-turn spray dial.
- 2.0 gpm @ 80 psi (7.6 L/min @ 552 kPa).

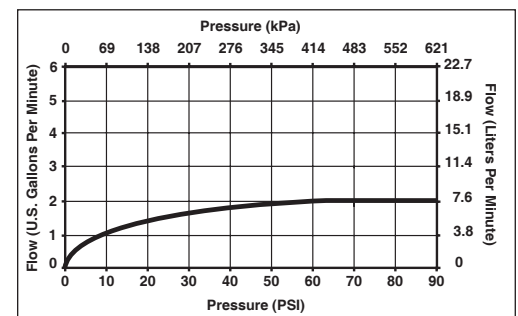
## WARRANTY

- Lifetime limited warranty on parts (other than electronic parts and batteries) and finishes; or for commercial users, for 5 years from the date of purchase.
- 5 year limited warranty on electronic parts (other than batteries); or for commercial users, for 1 year from the date of purchase. No warranty is provided on batteries.



## COMPLIES WITH

- ASME A112.18.1/CSA B125.1



▲ Designate proper finish suffix

Delta reserves the right (1) to make changes in specifications and materials, and (2) to change or discontinue models, both without notice or obligation. Dimensions are for reference only. See current full-line price book or [www.specselect.com](http://www.specselect.com) for finish options and product availability.

DSP-B-75569 Rev.A



55 E. 111th Street, Indianapolis, Indiana 46280  
 350 South Edgeware Road, St. Thomas, Ontario Canada N5P 4L1  
 © 2012 Masco Corporation of Indiana