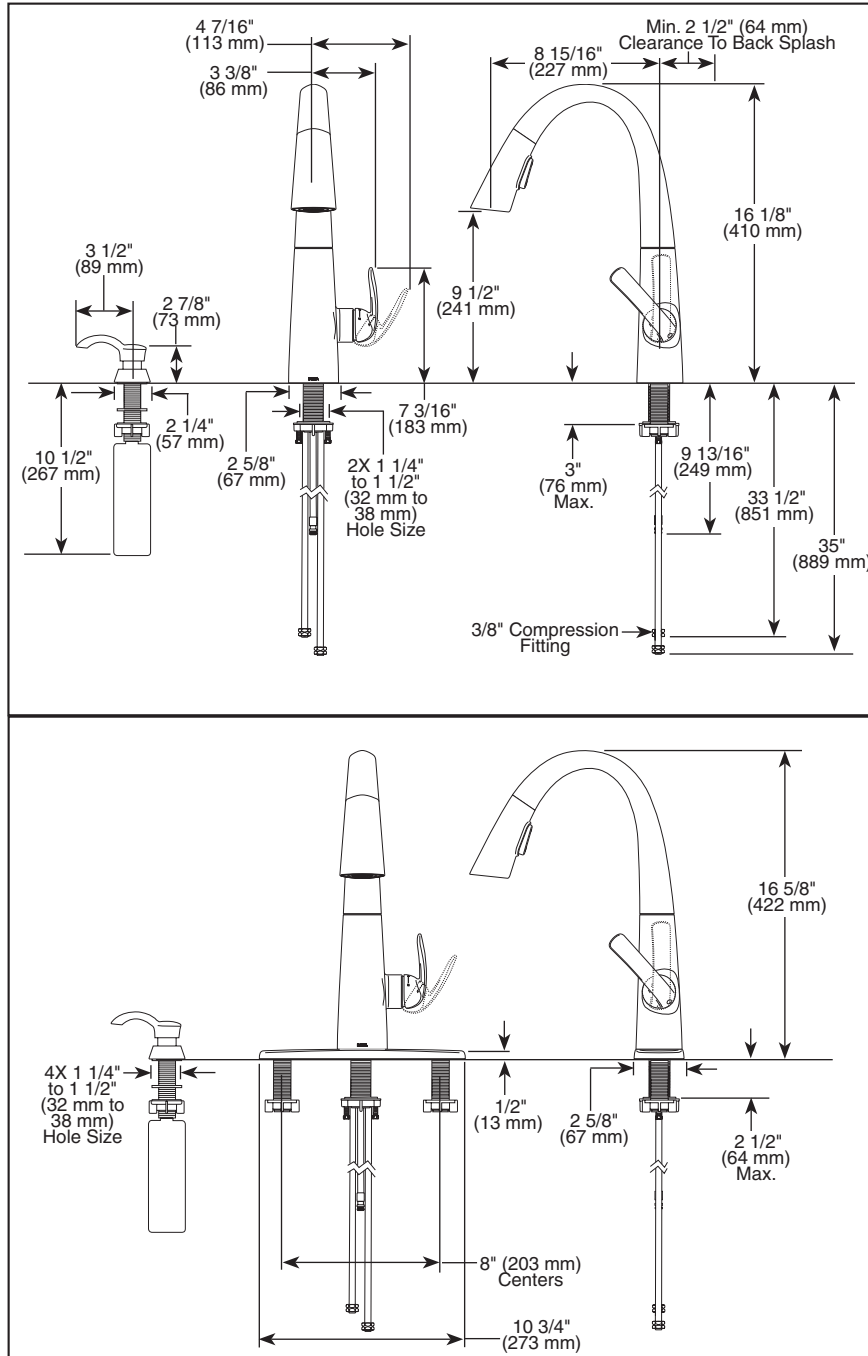


19936-SD-DST▲



Submitted Model No.:

Specific Features:



▲ Designate proper finish suffix

Delta reserves the right (1) to make changes in specifications and materials, and (2) to change or discontinue models, both without notice or obligation. Dimensions are for reference only. See current full-line price book or [www.deltafaucet.com](http://www.deltafaucet.com) for finish options and product availability.

DSP-K-19936-SD-DST Rev. A



# KITCHEN FAUCETS

- Single Handle Deck Mount
- 2-Function Pull-Down Sprayer
- 2 or 4 Hole Sink Applications
- Diamond Seal® Technology
- MagnaTite® Magnetic Docking
- Soap Dispenser
- Integrated Supply Tubes

## STANDARD SPECIFICATIONS:

- Single handle, 2-function pull-down kitchen faucets for exposed mounting on 2 or 4 hole sinks.
- Centermount or 8" (203 mm) centers with 10 3/4" (273 mm) escutcheon.
- 16 1/8" (410 mm) high, 8 15/16" (227 mm) long, spout swings 360°.
- Lever handle. Control mechanism shall be full-motion valve cartridge.
- Touch-Clean® sprayhead.
- Quick snap sprayer hose.
- Pull-down wand operates in an aerated or spray mode via ergonomic buttons.
- MagnaTite® magnetic docking.
- Dual integral check valves in sprayer.
- Hose travels inside mounting shank so it will not interfere with deck edges.
- Keyed 10 3/4" (273 mm) escutcheon to help alignment and aid installation.
- Flow rate 1.8 gpm max. @ 60 PSI.
- 3/8" O.D. PEX supply tubes, 33 1/2" (851 mm) (hot) and 35" (889 mm) (cold).

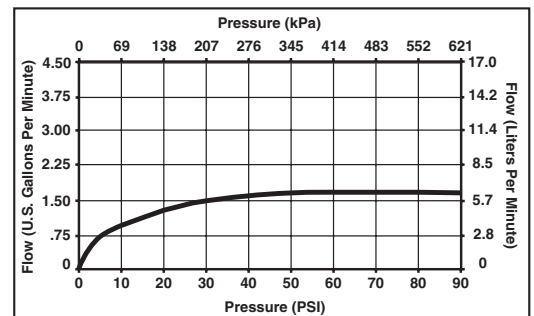
## WARRANTY

- Lifetime limited warranty on parts (other than electronic parts and batteries) and finishes: or, for commercial users, for 5 years from date of purchase.
- 5 year limited warranty on electronic parts (other than batteries); or, for commercial users, for 1 year from the date of purchase. No warranty is provided on batteries.



## COMPLIES WITH:

- ASME A112.18.1 / CSA B125.1
- ASME A112.18.6
- ICC/ANSI A117.1
- Verified compliant with .25% weighted average Pb content regulations.



55 E 111th Street, Indianapolis, Indiana 46280  
 350 South Edgeware Road, St. Thomas, ON N5P 4L1  
 © 2013 Masco Corporation of Indiana