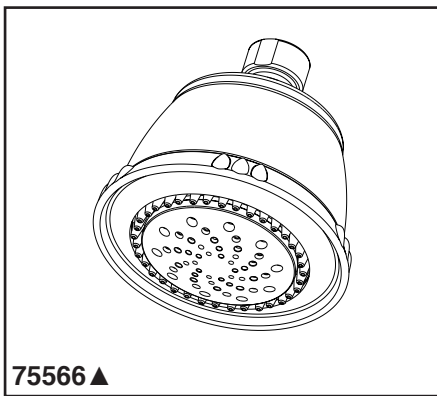




SHOWERHEAD

- 5-Spray Setting Showerhead
- Touch-Clean® Nozzles



75566 ▲

Submitted Model No.: _____

Specific Features: _____

STANDARD SPECIFICATIONS:

- Maximum flow rate 2.0 gpm @ 80 PSI, 7.6L/min @ 552kPa.
- Standard 1/2" pipe fitting.
- The ball swivel angle is 20° (10° per side).
- Easy-turn spray dial.

WARRANTY

- Lifetime limited warranty on parts (other than electronic parts and batteries) and finishes; or, for commercial users, for 5 years from the date of purchase.
- 5 year limited warranty on electronic parts (other than batteries); or for commercial users, for 1 year from the date of purchase. No warranty is provided on batteries.








COMPLIES WITH

- ASME A112.18.1 / CSA B125.1
- EPA WaterSense®

75566 ▲ 2.0 GPM

3 13/16"
(97 mm)

Φ3 3/4"
(95 mm)

-  Full Body Spray
-  Massage Spray
-  Full Spray w/ Massage
-  Soft Drenching Spray
-  Pause

▲ Designate proper finish suffix

Delta reserves the right (1) to make changes in specifications and materials, and (2) to change or discontinue models, both without notice or obligation. Dimensions are for reference only. See current full-line price book or www.deltafaucet.com for finish options and product availability.

