

Dartmoor™ Technical Specification

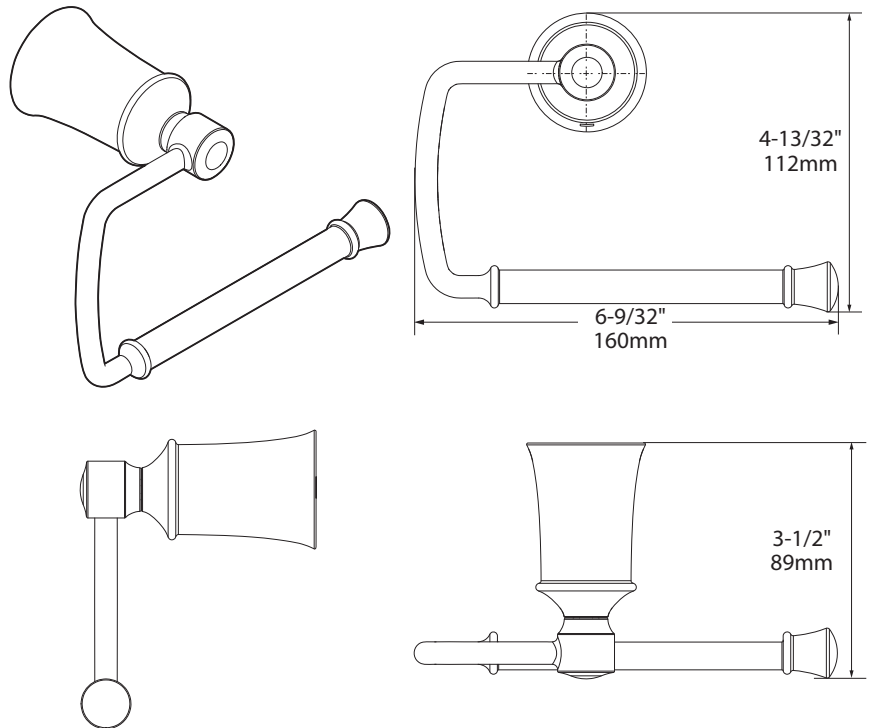
Paper Holder

YB2108

Stock Numbers:

- YB2108CH – Paper Holder**
Chrome Finish
- YB2108BN – Paper Holder**
Brushed Nickel Finish
- YB2108ORB – Paper Holder**
Oil Rubbed Bronze

Dimensions:



Materials:

Paper Holder is constructed of zinc.

Installation Instructions:

Directions below are for installation into drywall. If installing product into a stud, use the wood screws only.

1. The center to center measurement for this product is 6 1/4".
2. Mark this distance on the wall where you want to install the product.
3. Use a level to ensure that the pilot holes will be perfectly level.
4. Using 1/4" drill bit, drill one pilot hole for each post.
5. Position mounting posts to wall by inserting wall anchors into pilot holes and pressing firmly. (Make sure that locking tab on mounting post is facing down.)
6. Tighten wall anchor screw while holding mounting post firmly in place. Tighten anchor until resistance increases. DO NOT over tighten.
7. Using tip of screw bit press wall spikes (metal pieces on outer edge of mounting post) into drywall.
8. Towel bar must be attached to mounting posts as a unit – insert towel bar into each post.
9. Attach posts by pressing firmly to mounting posts until it clicks. (The square opening at the base of the post must be facing down to match-up with locking tab).

Cleaning Instructions:

To preserve the fine finish of this product, clean only with a soft damp cloth. Dry well. Do not use commercial or abrasive cleaners.

Stock Number: _____ **Paper Holder**
By MOEN



Buy it for looks. Buy it for life.®

25300 AL MOEN DRIVE • NORTH OLMSTED, OH 44070
CORPORATE HEADQUARTERS: (800) 321-8809 • FAX: (800) 848-6636
INTERNATIONAL: (440) 962-2000 • FAX: (440) 962-2726
CUSTOMER SERVICE (USA): (800) 882-0116 • FAX: (888) 379-2720
WWW.MOEN.COM ©Copyright Moen, Inc.