

# RF323TEDBSR

Biggest Capacity 31 cu. ft. French Door with External Water and Ice Dispenser

## Features

- Large Storage Capacity – 31 cu. ft.<sup>1</sup>
- Ice Master – Ice Maker in the Refrigerator
- Additional Filtered Ice Maker in the Freezer
- High-Efficiency LED Lighting
- Twin Cooling Plus™
- ENERGY STAR® Compliant
- External Filtered Water and Ice Dispenser
- CoolSelect Pantry™ with Temperature Control
- Stainless Look Display
- Power Freeze and Power Cool Options
- Two Humidity-Controlled Crispers
- Tempered Glass Spill-Proof Shelves
- Gallon Door Bins
- EZ-Open Handle™ on Freezer Door
- Auto Pull-Out Upper Freezer Drawer

<sup>1</sup> 30.5 cu. ft. as measured by Department of Energy.

## Convenience

- Cool Tight Door
- Door Alarm
- Water Filter Indicator
- Removable Ice Caddy



ENERGY STAR® rated: CEE Tier 1  
(10% more efficient than Federal Standard)  
753 kWh/yr



31 cu. ft. Maximum Capacity



Ice Master

## Available Colors



Stainless Steel  
(shown)



White



Black

## Signature Features

### 31 CU. FT. MAXIMUM CAPACITY

- Our largest French Door refrigerator has enough room to fit up to 31 bags of groceries.<sup>2</sup>
- With an expansive 31 cu. ft. inside, this refrigerator features the largest capacity of all French Door refrigerators in its class.<sup>3</sup>

<sup>2</sup> Grocery comparison based on each cubic foot of usable space equaling one paper bag.

<sup>3</sup> Features the largest capacity refrigerator in Samsung's current lineup.

### ICE MASTER

- Our Ice Master makes nearly 12 lbs. of ice per day with storage for nearly 10 lbs. of ice.<sup>4</sup>

<sup>4</sup> Actual Dual Ice Master production and storage quantities are 11.8 lbs and 9.7 lbs, respectively.

### HIGH-EFFICIENCY LED LIGHTING<sup>5</sup>

- Samsung's high-efficiency LED lighting gently brightens the interior of your beautifully organized refrigerator.

<sup>5</sup> As compared to Samsung's 2011 conventional LED lighting.



Ranked **"Highest in customer satisfaction with French Door refrigerators, in a tie."\***

—J.D. Power

**SAMSUNG**

# RF323TEDBSR

Biggest Capacity 31 cu. ft. French Door with External Water and Ice Dispenser

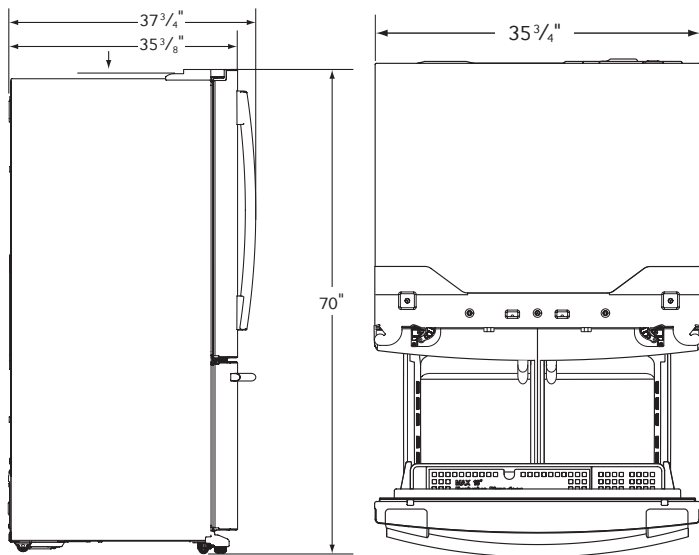
## Installing Your Refrigerator

1. Measure the height, width and depth of the opening, making sure to include baseboards, molding tile, countertop overhang, etc. Check to be sure there is enough room to open the door (consider walls, islands or other obstacles when measuring).
2. Refer to illustration below to determine dimensions.
3. Allow 2" of clearance on hinge side of refrigerator when installing next to a wall where handle may make contact.
4. Allow 1" minimum clearance at rear for proper air circulation and water/electrical connections. Allow a 3/8" minimum clearance at sides and top for ease of installation.
5. Ensure each door and entry way in the home is wide enough for the refrigerator to be moved through easily.

Please note: The following dimension and cutout information is for planning purposes only. For complete installation details consult manual packed with product, or download manual on-line at [samsung.com](http://samsung.com).



## Dimensions



Some hinges cannot be removed, please refer to the dimensions with hinges for product install and delivery dimensions

## Total Capacity: 30.5 cu. ft.

### Refrigerator: 20.5 cu. ft.

- Premium Wide and Tall External Filtered Water and Ice Dispenser
- Ice Master Ice Maker
- High-Efficiency LED Lighting
- Stainless Steel Accents on Interior
- CoolSelect Pantry™ with Temperature Control
- 2 Humidity-Controlled Crispers
- 5 Tempered Glass Spill-Proof Shelves
  - 2 Slide Out
  - 1 Slide In
  - 1 Extending Half Shelf
  - 1 Full Width
- 6 Clear Door Bins
  - Right Door: 3 Gallon Bins
  - Left Door: 3 Gallon Bins

### Freezer: 10 cu. ft.

- 1 Large Opaque Freezer Bin with Divider
- Auto Pull-Out Upper Drawer
- High-Efficiency LED Lighting
- Filtered Ice Maker (Cubed)

## Accessories

Water Filter: HAF-CIN

## Warranty

One (1) Year Parts and Labor on Refrigerator  
Five (5) Years Parts and Labor on Sealed Refrigeration System Only\*  
Ten (10) Years Parts and Five (5) Years Labor on Digital Inverter Compressor

\*Compressor, evaporator, condenser, drier, connecting tubing

## Product Dimensions & Weight

Dimensions (WxHxD with hinges, handles and doors):  
35 3/4" x 70" x 37 3/4"

Dimensions (WxHxD without hinges and door):  
35 3/4" x 68 7/8" x 30 7/8"

Dimensions (WxHxD with hinge and door, no handle):  
35 3/4" x 70" x 35 3/8"

Weight: 343.9 lbs.

## Shipping Dimensions & Weight (WxHxD)

Dimensions: 38 1/4" x 75 1/2" x 37 6/8"

Weight: 370.4 lbs.

Color	Model #	UPC Code
Stainless Steel	RF323TEDBSR	036725570924
White	RF323TEBWW	036725570955
Black	RF323TEBBC	036725570948

**SAMSUNG**

\*Samsung received the highest numerical score for French door refrigerators in a tie in the proprietary J.D. Power 2014 Kitchen Appliance Study<sup>SM</sup>. Study based on 15,380 total responses measuring 10 French door refrigerator brands and measures opinions of consumers about their new appliance purchased in the past 24 months. Proprietary study results are based on experiences and perceptions of consumers surveyed in January-March 2014. Your experiences may vary. Visit [jdpower.com](http://jdpower.com).

Actual color may vary. Design, specifications, and color availability are subject to change without notice. Non-metric weights and measurements are approximate.

©2014 Samsung Electronics America, Inc. 85 Challenger Road, Ridgefield Park, NJ 07660. Tel: 800-SAMSUNG. [samsung.com](http://samsung.com). Samsung is a registered trademark of Samsung Electronics Co. Ltd.