



LOCATION		DATE
PREPARED BY		QUANTITY
COMMENTS		FIXTURE TYPE
CATALOG NUMBER		

Treadplate Shoplight 271069

Features

This unit is designed for general purpose task lighting. Features a single segment reflector, on/off pull switch and hanging chain set. For Residential use.

Construction

Housing and cover are die formed of 26-gauge cold rolled steel. Unit comes fully assembled. Suspended mounting only with included chain. Minimum spacing from ceiling surface is (3) inches.

Finish

Housing interior is finished in white gloss enamel paint. Exterior has galvanized tread plate finish.

Diffuser

There is no diffuser on this fixture. The fluorescent lamps are exposed.

Electrical

U.L. listed Normal power factor, electronic, Class P ballasts for 120 volt, 60 hertz A.C. operation. Lamp holders are rotating lock, medium bi-pin type. 5 ft. cord and 3 prong plug included.

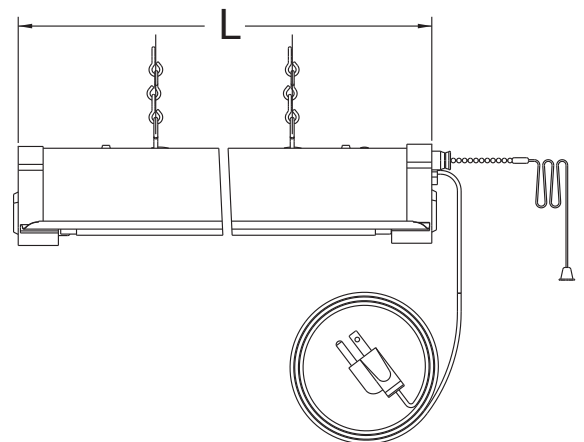
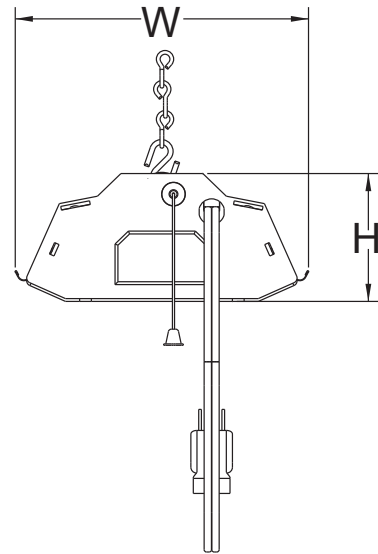
Lamping

For use with 2/32 watt T8 linear fluorescent lamps; supplied by others.

Certification

All fixtures are UL listed for damp locations.

Specifications and dimensions
subject to change without notice.



Ordering Information:

Model #	Qty.	Lamp	H	W	L
271069	2	F32T8	2.75"	6.25"	49.5"