

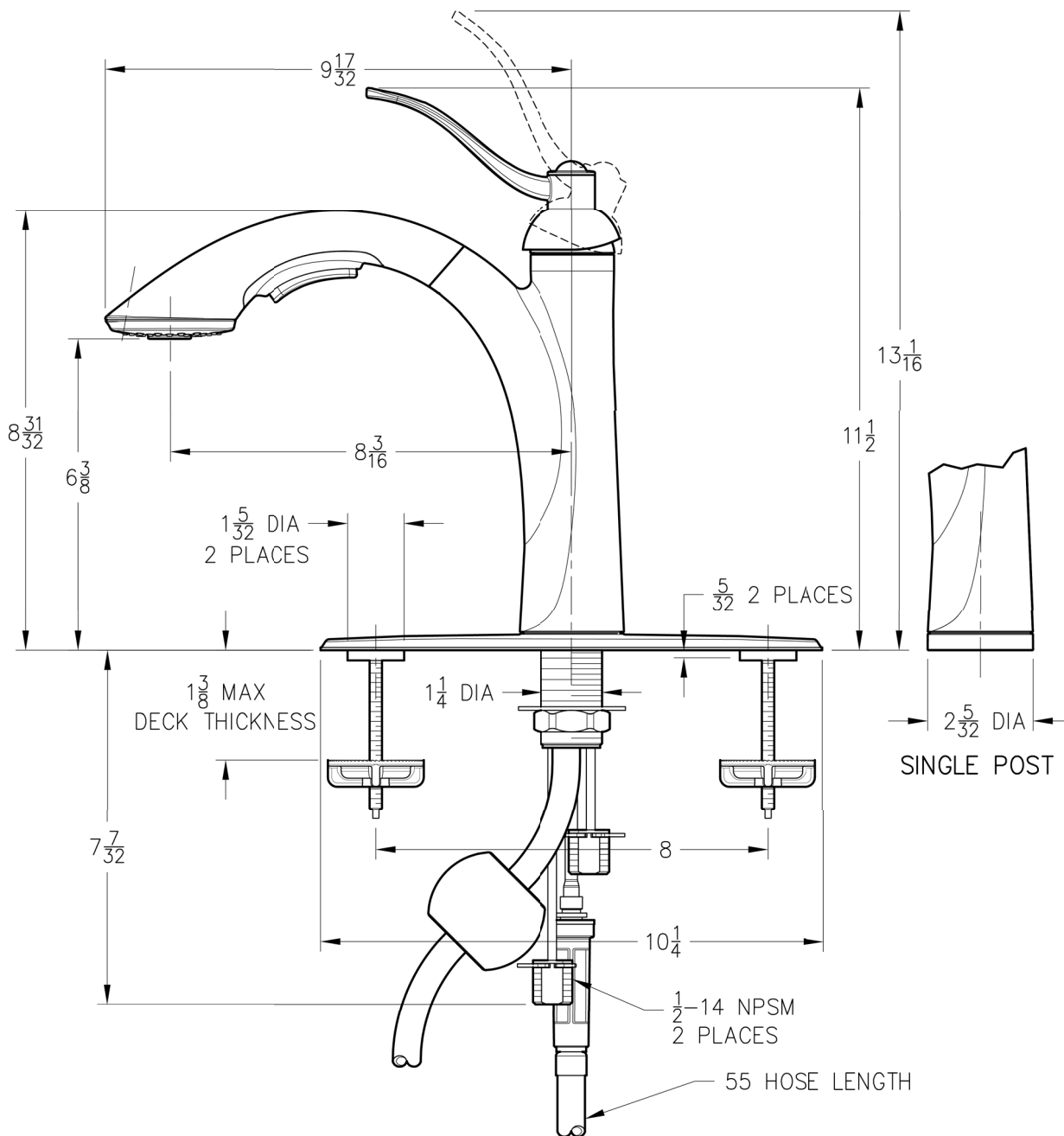
# INSTALLATION DIMENSIONS

## 534 Series

Rembrandt™

Pull-Out Kitchen Faucet

<b>Critical Dimensions:</b>	
Minimum Hole Size	1 1/2 DIA Thru Hole 3 Places
Valve Centerline to Back Splash	2 5/32 Min.



**CAUTION:**  
When using the compression fittings in this package, with these types of installations, the installer must flare or bead the water supply lines to avoid blow-out conditions. Avoiding such steps in the installation of the unit may result in water damage.

Connect inlet supply lines by assembling brass supply nut (A), friction ring (B) and cone washer (C) onto 3/8" O.D. straight copper tube. Bead or flare. Wrench tighten.

Dimensions are in Inches

1-800-PFAUCET www.pricepfister.com  
19701 DaVinci, Lake Forest, CA 92610  
09/28/10

Price Pfister®

SS-534-AR-1

