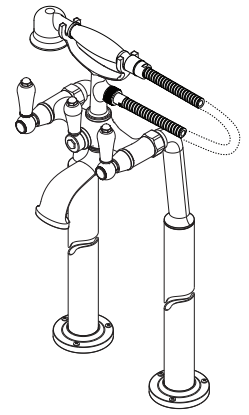


## Traditional Tub Filler



- RT6-1TFC Finish(C)
- RT6-1TFD Finish(D)
- RT6-1TFK Finish(K)
- RT6-1TFY Finish(Y)

## Specifications

- All Metal Construction

### Features

- 9 GPM @ 45 PSI Flow Rate
- All Metal Construction
- Ceramic Disc
- Mounting Hardware Included
- Volume and Temperature Control
- Pforever Warranty®

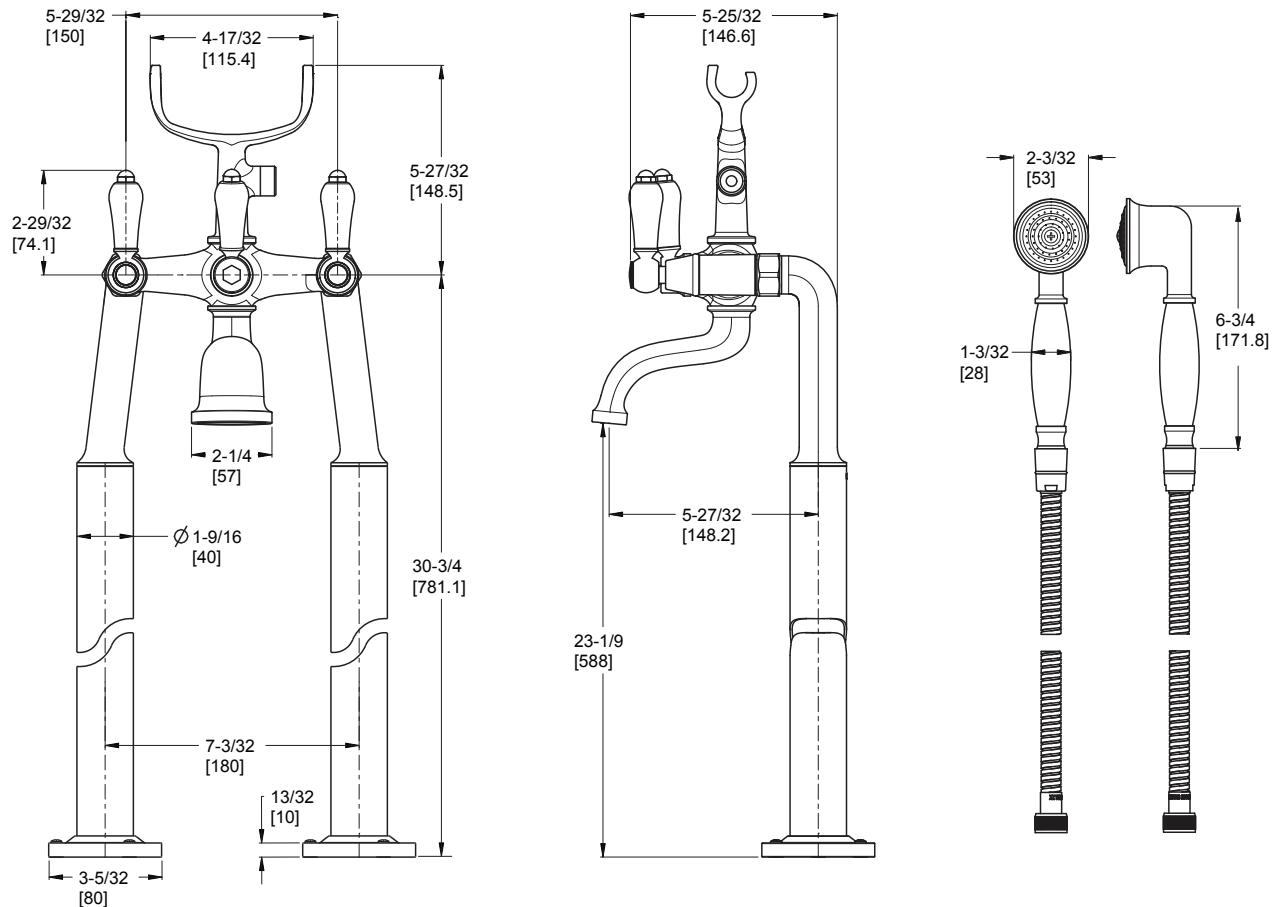
### Code Compliance

Pfister products are designed and manufactured in compliance with the following standards and codes:

- IAPMO Certified
- CSA B125 Certified
- ASME A112.18.1
- NSF 61/9 Annex G (Low lead)
- ADA Compliant-ANSI A117.1 (Lever handles only)



## Dimensions



Ø3-3/8Max. Deck Hole Openings