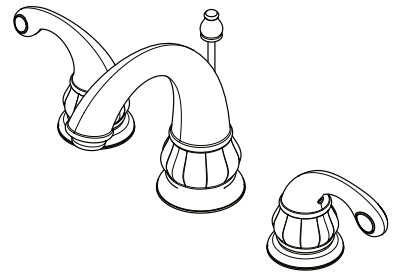


- LF-049-DC00 Finish(C)
- LF-049-DK00 Finish(K)
- LF-049-DY00 Finish(Y)



Specifications

- 3-Hole Installation
- Pforever Seal

Features

- 1.2 GPM Flow Rate
- 3-Hole Installation
- Adjustable Install
- All Metal Construction
- Mounting Hardware Included
- Mounting Posts Included
- Pull Up Rod Included
- Quick Install Tool
- Pforever Seal Ceramic Disc Valves
- Pforever Warranty®

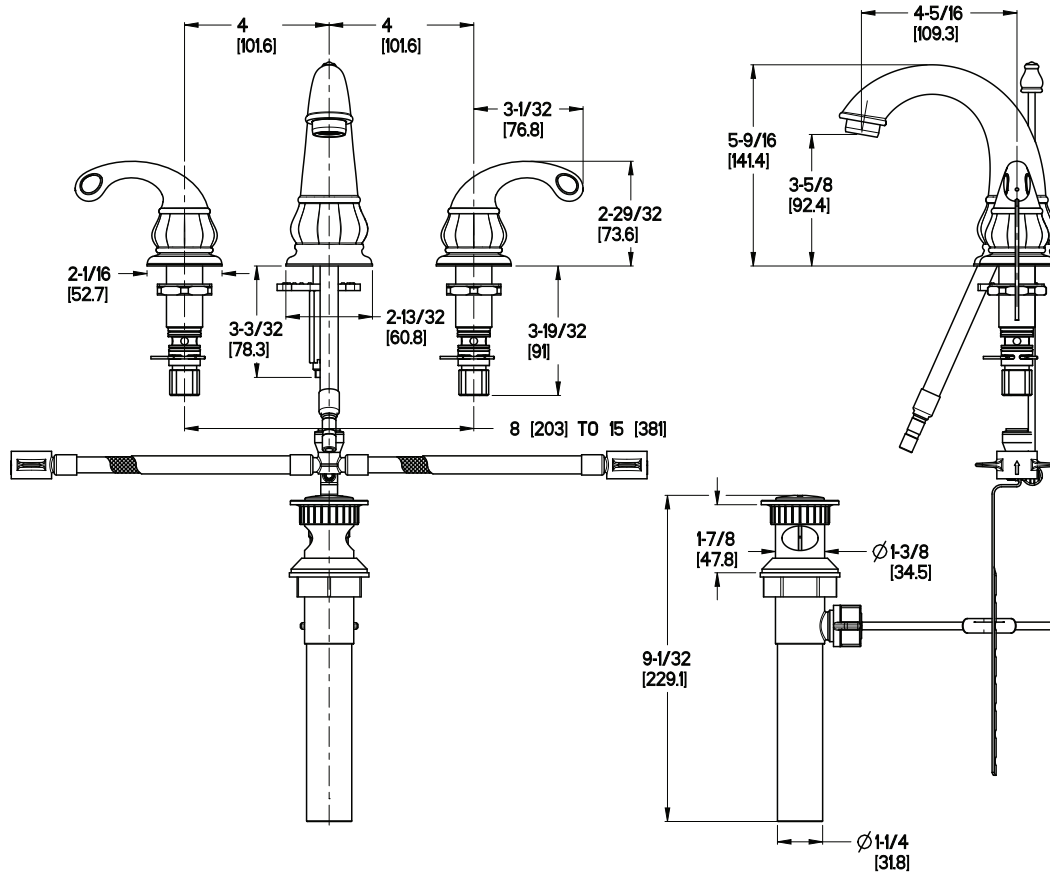
Code Compliance

Pfister products are designed and manufactured in compliance with the following standards and codes:

- IAPMO Certified
- CSA B125 Certified
- ASME A112.18.1
- NSF 61/9 Annex G (Low lead)
- Cal Green Compliant
- EPA WaterSense Certification 1.2 gpm, 4.5 L/Min
- ADA Compliant-ANSI A117.1 (Lever handles only)



Dimensions



Ø1 Min to Ø1-1/2 Max. Deck Hole Openings