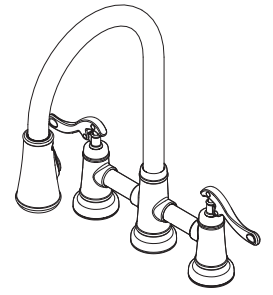


- LG531-YPC Finish(C)
- LG531-YPK Finish(K)
- LG531-YPY Finish(Y)



Specifications

Features

- 1.8 GPM Flow Rate
- 70" Pullout Hose Length
- Braided Nylon Reinforced Vinyl Hose
- Metal Lever Handles
- Includes Metal Supply Nuts
- 3-Hole Installation
- 360° Swivel Spout
- High-Arc Decorative Spout
- Adjustable Spray Volume Control Feature
- Ergonomic Spray Head Produces Strong Spray or Aerated Stream
- Pforever Seal Ceramic Disc Valves
- Pforever Warranty®

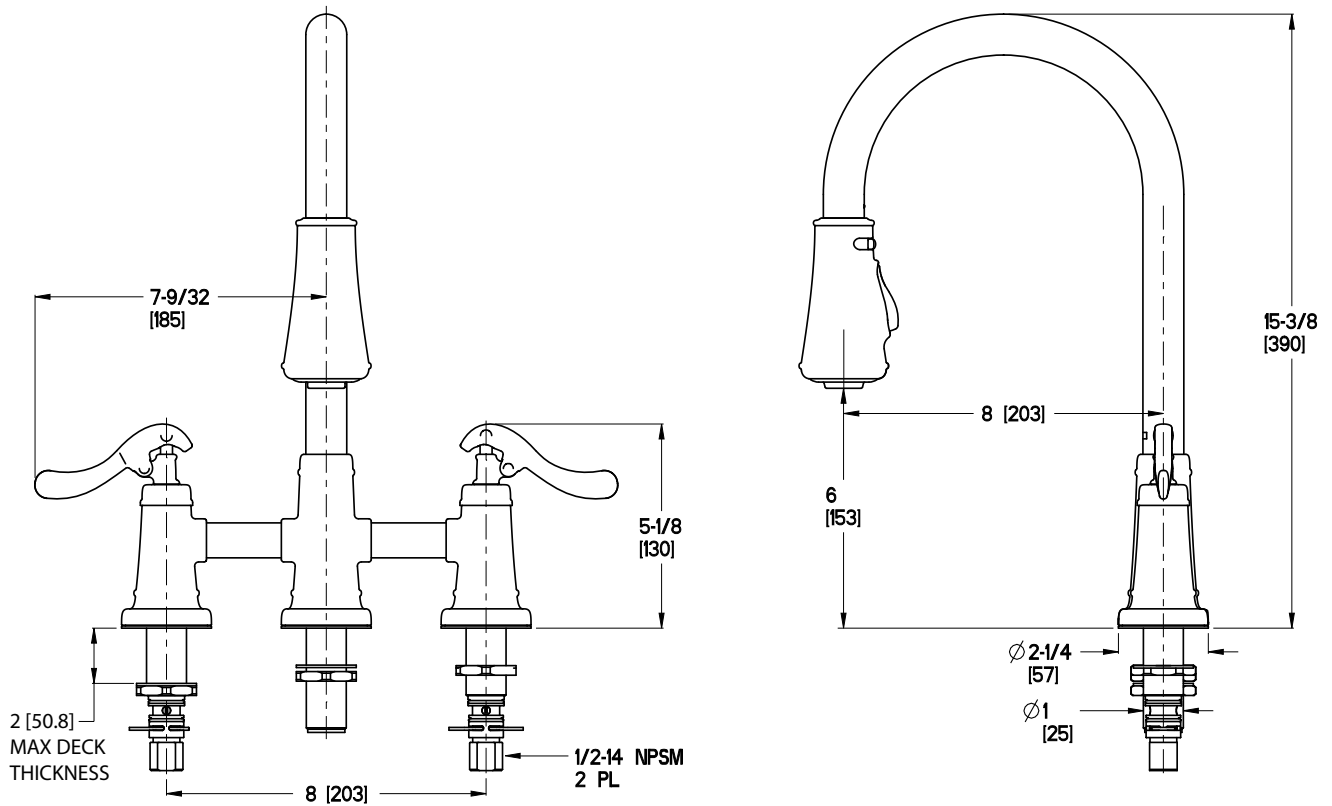
Code Compliance

Pfister products are designed and manufactured in compliance with the following standards and codes:

- IAPMO Certified
- CSA B125 Certified
- ASME A112.18.1
- NSF 61/9 Annex G (Low lead)
- CEC Compliant
- ADA Compliant-ANSI A117.1 (Lever handles only)
- ASME A112.18.3 (Backflow Prevention)



Dimensions



Ø1-3/8 Min to Ø1-1/2 Max. Deck Hole Openings