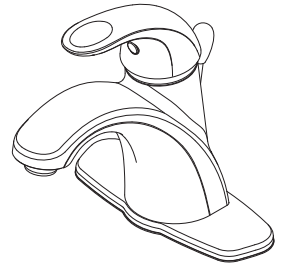


- LG42-AMCC Finish(C)
- LG42-AMCK Finish(K)
- LG42-ANCC Finish(C)



### Specifications

- High-Arc Decorative Spout
- Pforever Seal

### Features

- 1.2 GPM Flow Rate
- 16" Copper Supply Lines, No Fittings
- All Metal Construction
- Includes Cap for Pop-Up Hole (\*AN Only)
- No Pop-Up Drain (\*AN Only)
- Metal Pop-Up Drain (\*AM Only)
- High-Arc Decorative Spout
- Pforever Seal Ceramic Disc Valve
- Pforever Warranty®

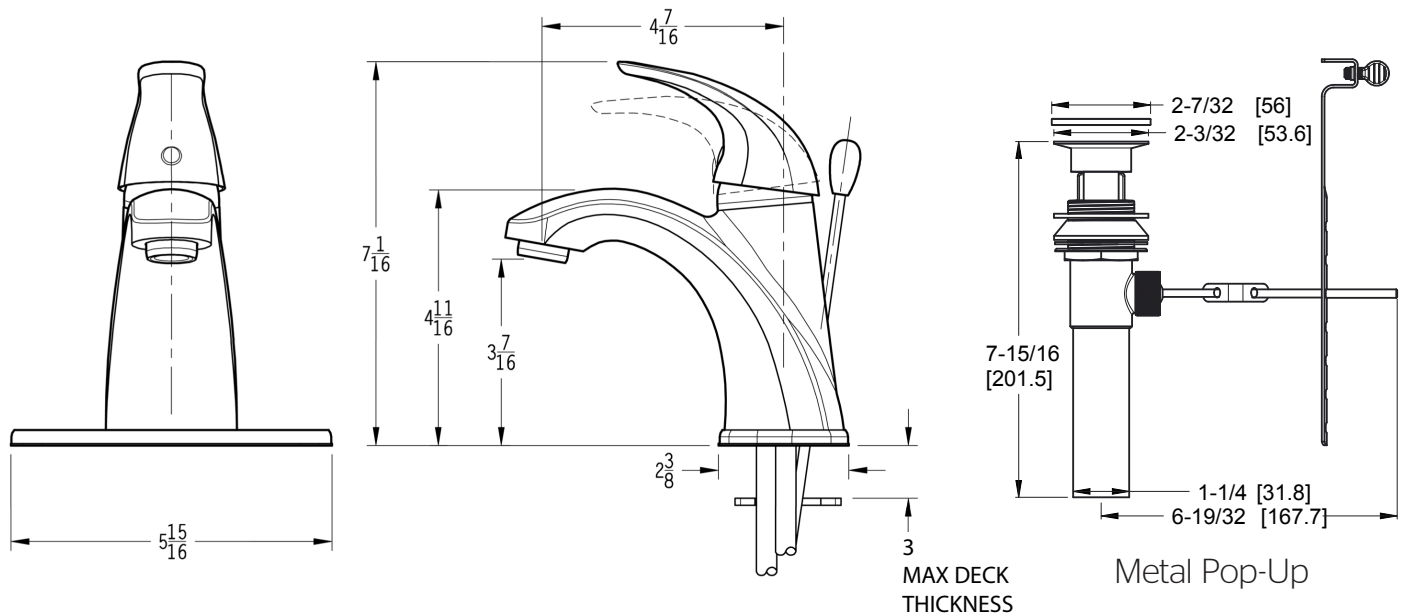
### Code Compliance

Pfister products are designed and manufactured in compliance with the following standards and codes:

- IAPMO Certified
- CSA B125 Certified
- ASME A112.18.1
- NSF 61/9 Annex G (Low lead)
- Cal Green Compliant
- CEC Compliant
- EPA WaterSense Certification 1.2 gpm, 4.5 L/Min
- ADA Compliant-ANSI A117.1 (Lever handles only)



### Dimensions



Ø1 Min to Ø1-1/2 Max. Deck Hole Openings