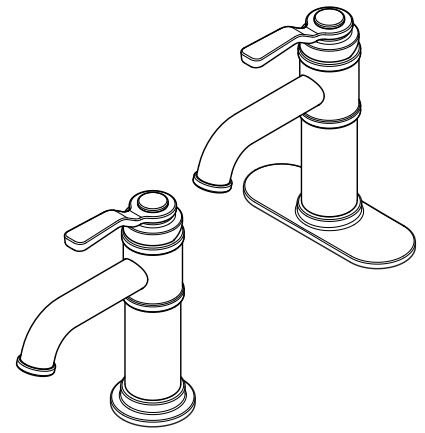


Breckenridge™ Single Control Lavatory Faucet

- LF-O42-BCGS Finish(GS)
- LF-O42-BCKK Finish(KK)
- LF-O42-BCYY Finish(Y)



- 1 or 3-Hole Installation
- All Metal Construction
- Pforever Seal
- Push & Seal™ Pop-Up

Specifications

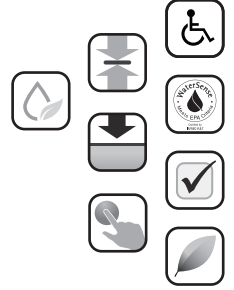
Features

- 1.2 GPM Flow Rate
- Spot Defense Finish Which Resists Spots and Fingerprints (GS Finish Only)
- All Metal Construction
- Mounting Hardware Included
- 1 or 3-Hole Installation; Deck Plate or Single Hole Mounting Option
- Mounting Hardware Included
- Mounting Posts Included
- Push & Seal™ Pop-Up
- Pfast Connect
- TiteSeal™ Deckplate
- Pforever Seal Ceramic Disc Valve
- Pforever Warranty®

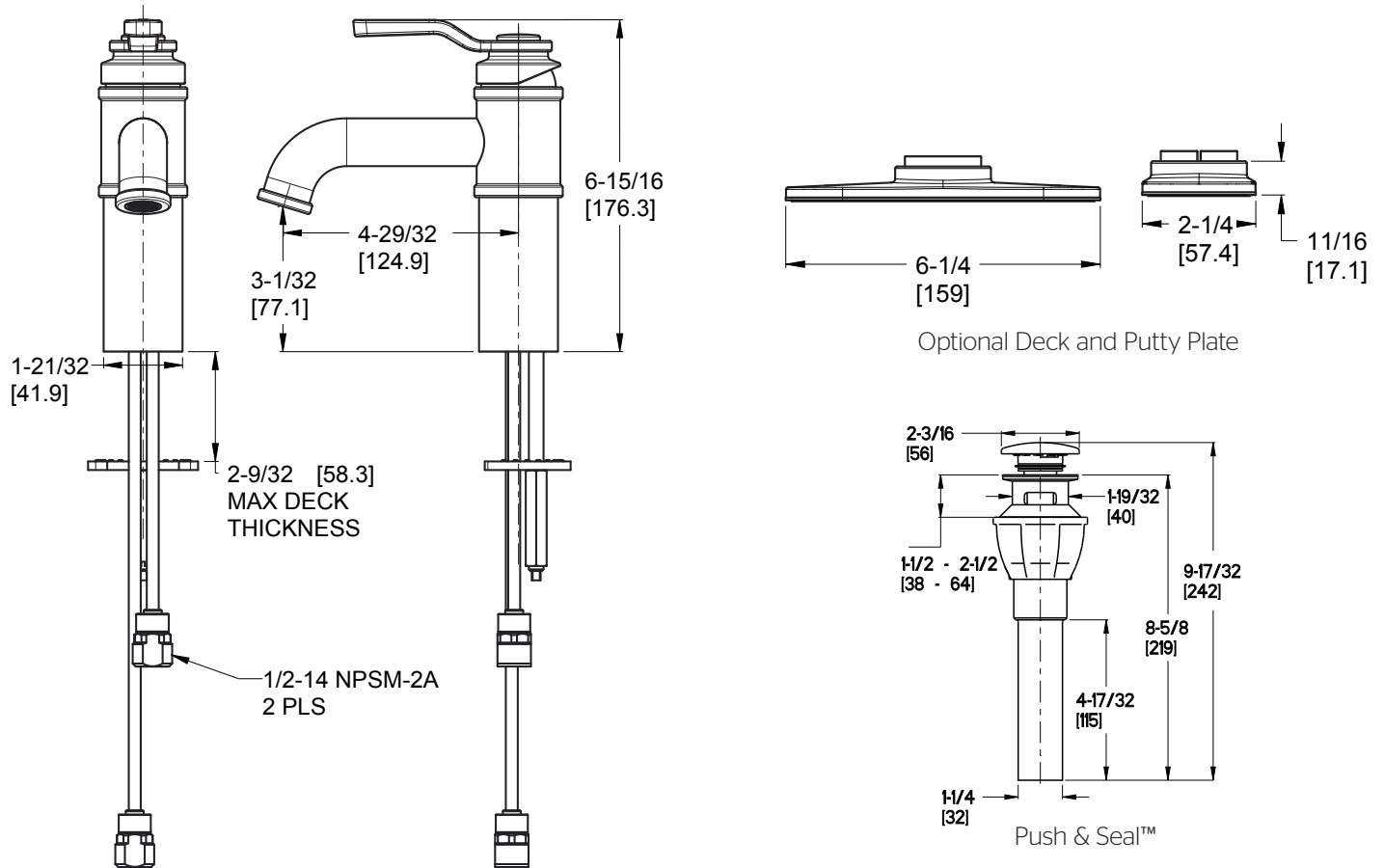
Code Compliance

Pfister products are designed and manufactured in compliance with the following standards and codes:

- IAPMO Certified
- CSA B125 Certified
- ASME A112.18.1
- NSF 61/9 Annex G (Low lead)
- Cal Green Compliant
- CEC Compliant
- EPA WaterSense Certification 1.2 gpm, 4.5 L/Min
- ADA Compliant-ANSI A117.1 (Lever handles only)



Dimensions



Ø1 Min to Ø1-1/2 Max. Deck Hole Openings