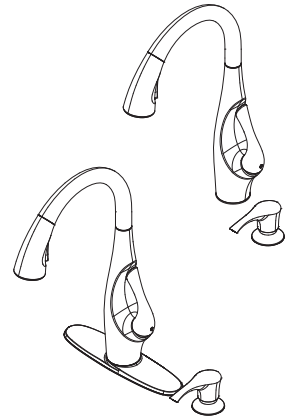


- F-529-7NDC Finish(C)
- F-529-7NDGS Finish(GS)



Specifications

- Integrated Handle
- Spot Defense
- Pforever Seal

Features

- 1.8 GPM Flow Rate
- Spot Defense Finish which Resists Spots and Fingerprints (GS Finish Only)
- 1, 2, 3, or 4-Hole Installation; Deck Plate or Single Hole Mounting Option
- 2 Function Pull-Down Sprayer
- AccuDock™ Sprayhead Docking
- 360° Rotating Spout
- Nylon Flex-Lines Supply Lines

- Forward Handle Design (GS Finish Only)
- Pfast Connect
- PVD Finish (GS Finish Only)
- Swivel Spout
- Soap Dispenser
- TiteSeal™ Deckplate
- Quick Install Tool
- Pforever Seal Ceramic Disc Valve
- Pforever Warranty®

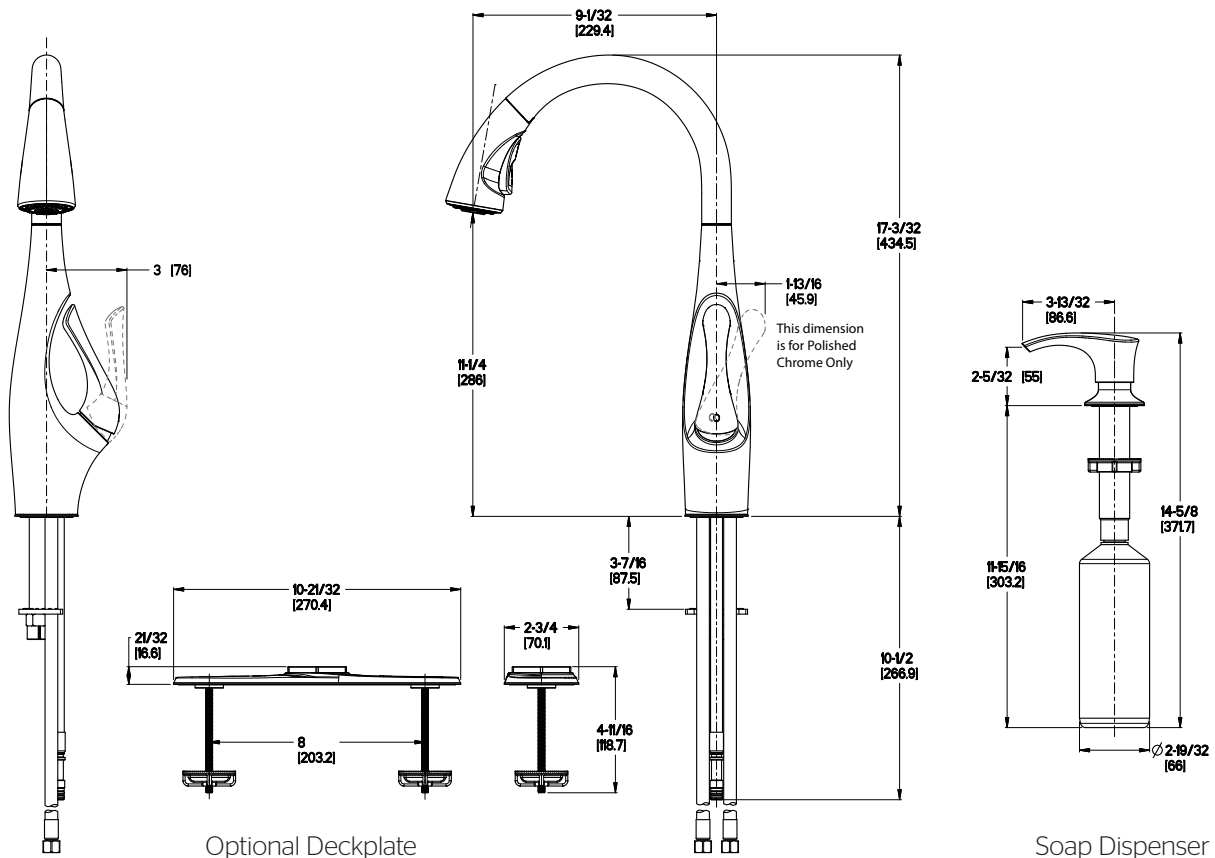
Code Compliance

Pfister products are designed and manufactured in compliance with the following standards and codes:

- IAPMO Certified
- CSA B125 Certified
- ASME A112.18.1
- NSF 61/9 Annex G (Low lead)
- Cal Green Compliant
- ADA Compliant-ANSI A117.1
- ASME A112.18.3 (Backflow Prevention)



Dimensions



Optional Deckplate

Soap Dispenser

Ø1-3/8 Min to Ø1-1/2 Max. Deck Hole Openings