

Specifications

Features

- 1.8 GPM Flow Rate
- 360° Rotating Spout
- Concealed Screw
- Fixed Body and Hub
- Installs With or Without Side Spray
- Mounting Hardware Included
- TiteSeal™ Deckplate
- Tri-Flow™
- Pfaster Connect
- Pforever Seal Ceramic Disc Valves
- Side Spray Included
- High Arc Spout
- Pforever Warranty®

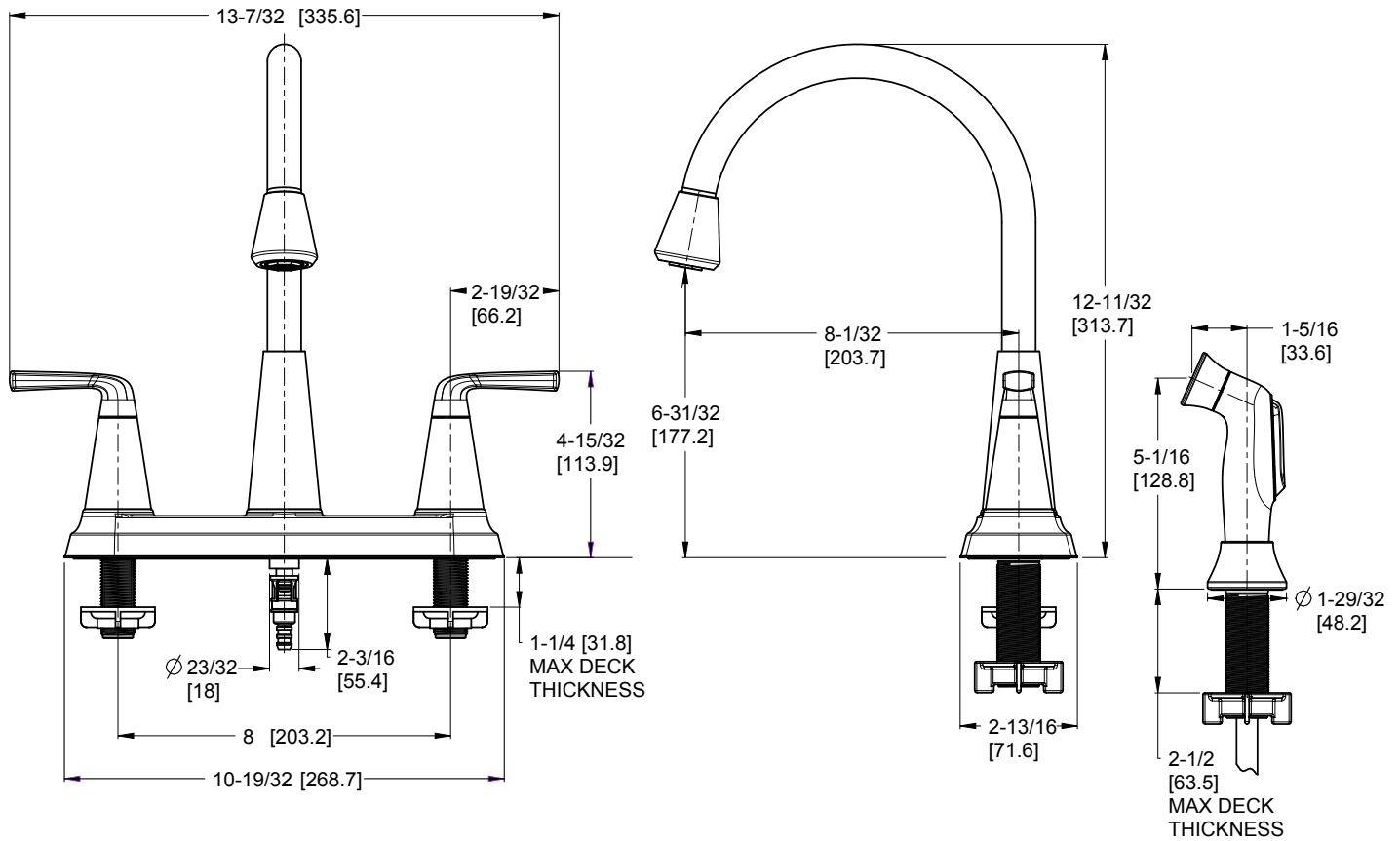
Code Compliance

Pfister products are designed and manufactured in compliance with the following standards and codes:

- IAPMO Certified
- CSA B125 Certified
- ASME A112.18.1
- NSF 61/9 Annex G (Low lead)
- CEC Compliant
- ADA Compliant-ANSI A117.1 (Lever handles only)
- ASME A112.18.3 (Backflow Prevention)



Dimensions



Ø1-3/8 Min to Ø1-1/2 Max. Deck Hole Openings

*supply lines not included
1/2" male OD connection at faucet