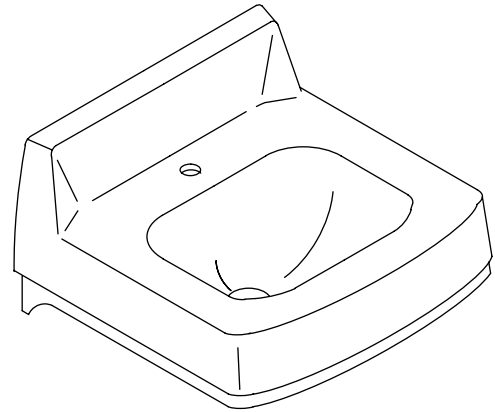


Features

- Vitreous china
- Wall-mount
- With hanger
- With overflow
- Drilled center hole
- Drilled for a concealed arm carrier and fixture-supported knee-control fitting
- 20-3/4" (52.7 cm) x 18-1/4" (46.4 cm)

WALL-MOUNT LAVATORY K-12643

ADA



Codes/Standards Applicable

Specified model meets or exceeds the following:

- ADA
- ASME A112.19.2/CSA B45.1
- ICC/ANSI A117.1

Colors/Finishes

- 0: White

Accessories

- CP: Polished Chrome
- NA: None applicable

Specified Model

Model	Description	Colors/Finishes
K-12643	Center hole lavatory	<input type="checkbox"/> 0

Recommended Accessories		
K-1808-P	Lavatory brackets	<input type="checkbox"/> NA
K-8998	P-trap	<input type="checkbox"/> CP
K-13710-D	Knee control mixing valves	<input type="checkbox"/> CP
K-13715-A	Knee control mixing valves	<input type="checkbox"/> CP

Product Specification

The lavatory shall be 20-3/4" (52.7 cm) in length, and 18-1/4" (46.4 cm) in width. The lavatory shall be made of vitreous china. The lavatory shall have center hole drilling. The lavatory shall include overflow. The lavatory shall be wall-mount with hanger, and drilled for concealed arm carrier and fixture-supported knee control fitting. The lavatory shall be ADA compliant. The lavatory shall be Kohler Model K-12643-_____.

GREENWICH™

Technical Information

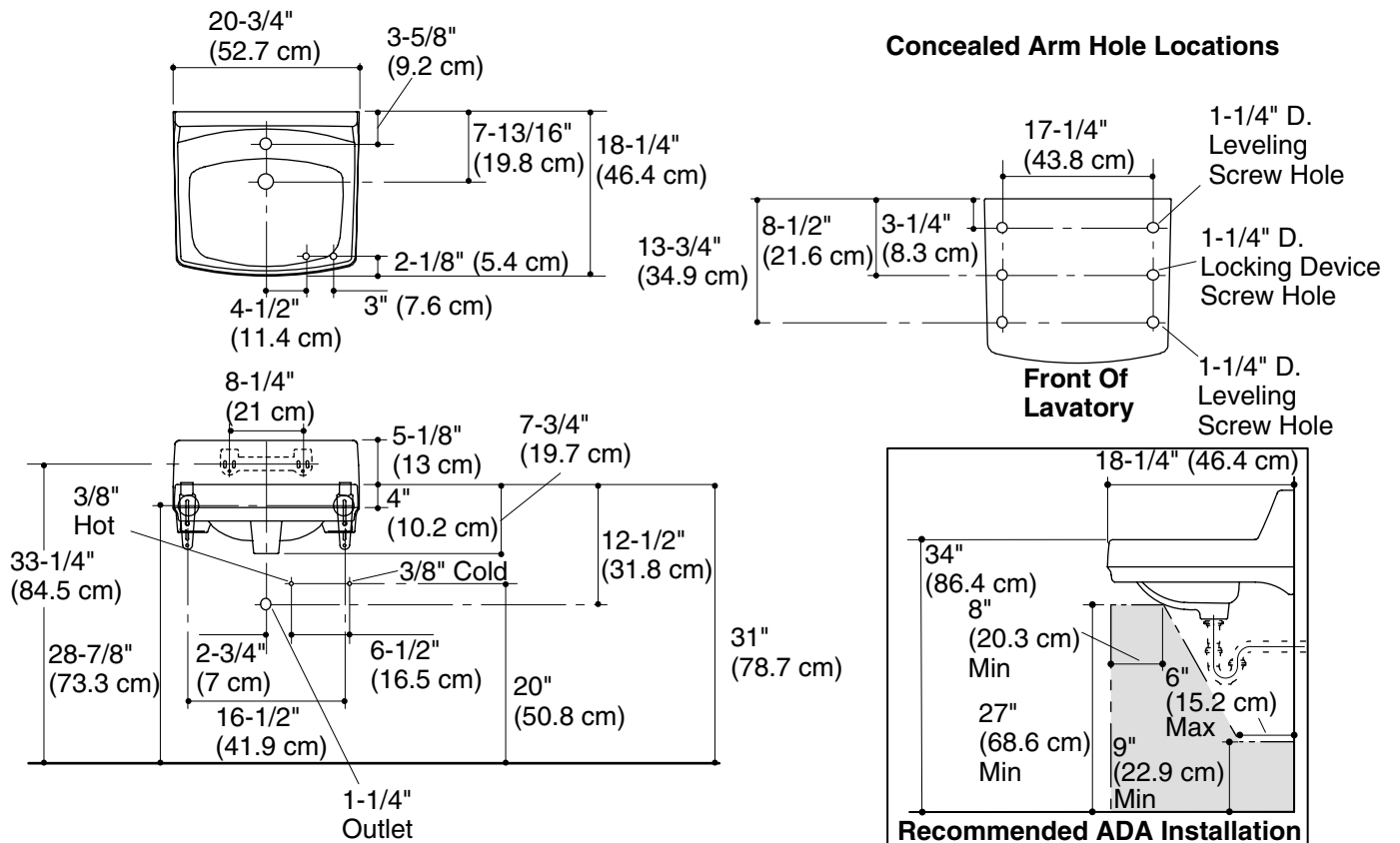
Fixture*:	
Basin area	15" (38.1 cm) x 10" (25.4 cm)
Water depth	3-1/4" (8.3 cm)
Drain hole	1-3/4" (4.4 cm) D.
*Approximate measurements for comparison only.	

Holes	K-12643
Spout	1-3/8" (3.5 cm) D.

Included components:	
Hanger	64839
Supplied hanger not used with concealed arm carrier.	

Installation Notes

Install this product according to the installation guide.



Product Diagram