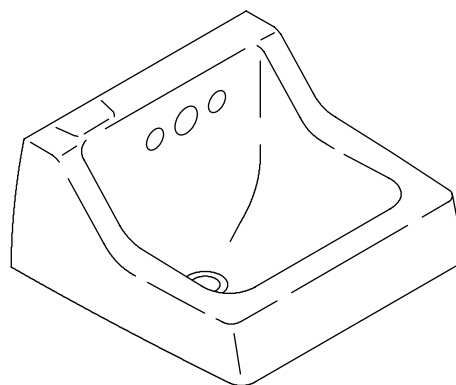


### WALL-MOUNT LAVATORY K-2705

ADA

#### Features

- KOHLER cast iron
- Wall-mount
- With overflow
- With factory installed K-8040-2A Triton® faucet
- Less K-8040-2A Triton™ faucet (-EH)
- ADA compliant when installed with a lever-handle faucet (-EH)
- 19" (48.3 cm) x 17" (43.2 cm)



#### Codes/Standards Applicable

Specified model meets or exceeds the following:

- ASME A112.19.1M
- IAPMO/UPC
- ADA
- ICC/ANSI A117.1
- CSA B45

#### Colors/Finishes

- 0: White
- Other: Refer to Price Book for additional colors/finishes

#### Specified Model

Model	Description	Colors/Finishes	
K-2705	Wall-mount lavatory with faucet	<input type="checkbox"/> 0	<input type="checkbox"/> Other _____
K-2705-EH	Wall-mount lavatory less faucet	<input type="checkbox"/> 0	<input type="checkbox"/> Other _____

#### Product Specification

The wall-mount lavatory shall be 19" (48.3 cm) in length and 17" (43.2 cm) in width. Lavatory shall be made of cast iron. Lavatory shall be available with factory-installed K-8040-2A Triton faucet or less faucet (-EH). Lavatory shall have overflow. Lavatory shall be ADA compliant when installed with a lever-handle faucet (-EH). Lavatory shall be Kohler Model K-2705-\_\_\_\_\_-\_\_\_\_\_.

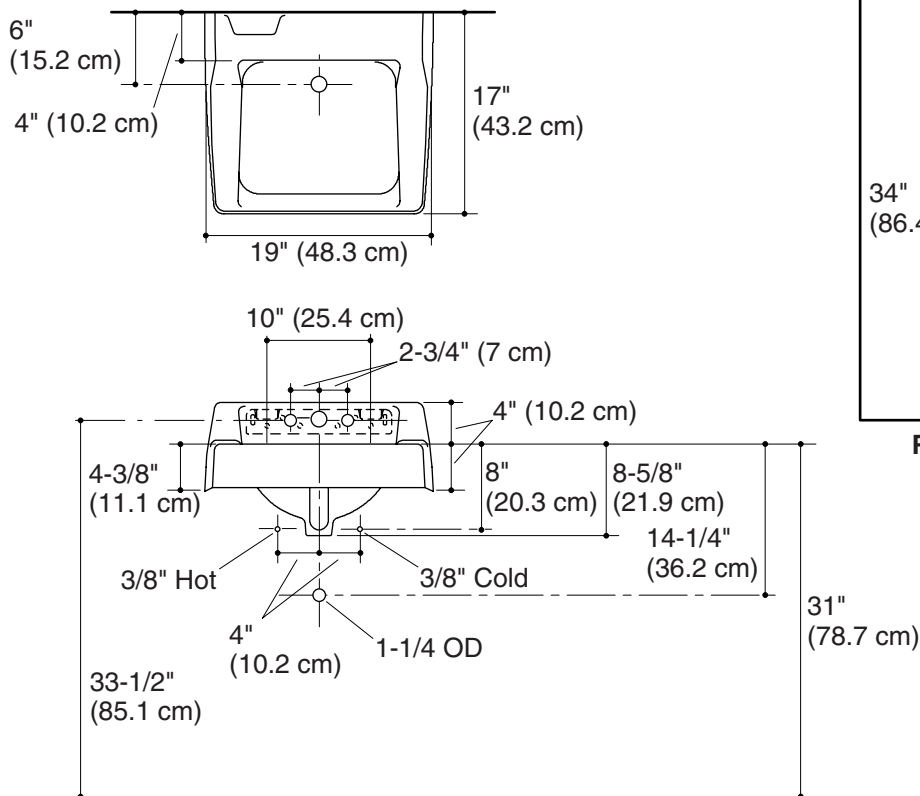
# HAMPTON™

## Technical Information

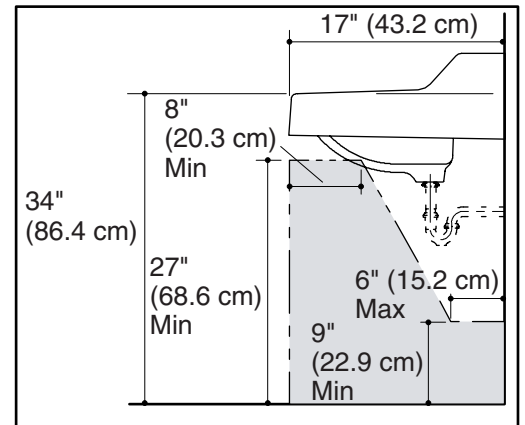
Lavatory is ADA compliant when installed with a lever-handle faucet.	
<b>ADA</b>	
Fixture*:	
Basin area	14" (35.6 cm) x 13" (33 cm)
Water depth	5-1/8" (13 cm)
Drain hole	1-11/16" (4.3 cm) D.
* Approximate measurements for comparison only.	
Hole	
Spout	1-1/2" (3.8 cm) D.
Faucet	1-3/16" (3 cm) D.
Included components:	
Hanger (1)	64503
Overflow ferrule (1)	84896

## Installation Notes

Install this product according to the installation guide.



Standard Installation



Recommended ADA Installation

## Product Diagram