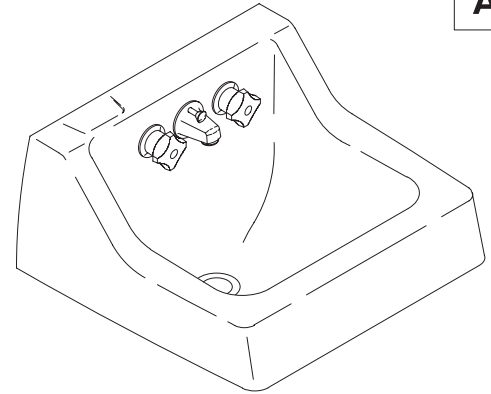


WALL-MOUNT LAVATORY

K-2703

ADA



FEATURES

- 22" (55.9cm) x 19" (48.3cm)
- Cast iron
- Wall-mount
- With factory installed K-8040-2A Triton faucet
- Less K-8040-2A Triton faucet (-EH)
- With overflow
- ADA compliant when installed with lever-handle faucet (-EH)

CODES/STANDARDS APPLICABLE

Specified model meets or exceeds the following:

- ADA
- ASME/ANSI A112.19.1M
- CABO/ANSI A117.1
- IAPMO/UPC
- Canadian Standards Association (CSA)
- State of Massachusetts

COLORS/FINISHES

- 0 White

SPECIFIED MODEL:

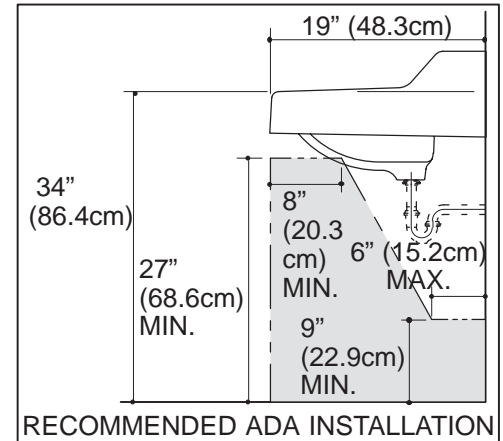
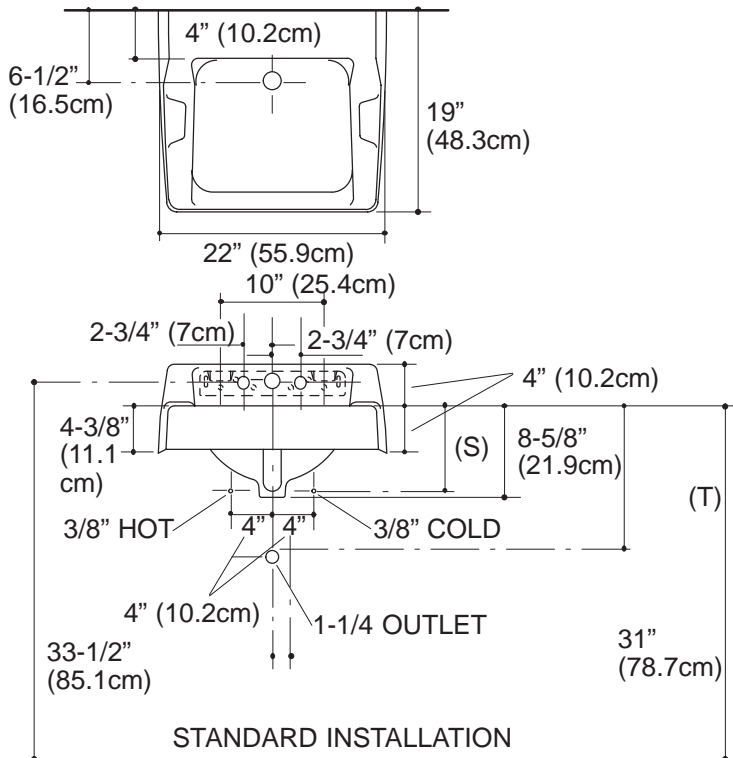
Model	Description	Colors/Finishes
K-2703	Wall-mount lavatory with faucet	<input type="checkbox"/> 0 White
K-2703-EH	Wall-mount lavatory less faucet	<input type="checkbox"/> 0 White

PRODUCT SPECIFICATION:

The wall-mount lavatory shall be 22" (55.9cm) in length, and 19" (48.3cm) in width. Lavatory shall be made of cast iron. Lavatory shall be factory installed K-8040-2A Triton faucet or less faucet (-EH). Lavatory shall have overflow. Lavatory shall be ADA compliant when installed with lever-handle faucet (-EH). Lavatory shall be Kohler Model K-2703-_____-_____.

PRODUCT INFORMATION

ADA compliant when installed with lever handle faucet.			
Fixture*:		basin area	water depth
Lavatory		15" (38.1cm) x 14" (35.6cm)	5-1/8" (13cm)
Outlet	1-11/16" D. (4.3cm)		
Faucet holes	1-3/16" D. (3cm)		
Spout hole	1-1/2" D. (3.8cm)		
* Approximate measurements for comparison only.			
Included Components:			
Hanger (1)			64503
Overflow ferrule (1)			84896



.9<116

(T) Pop-up drain 14-1/4" (36.2cm), drain 13-3/8" (34cm).
 (S) 8" (20.3cm) (Based on 12" (30.5cm) riser which may require cutting).

PRODUCT DIAGRAM