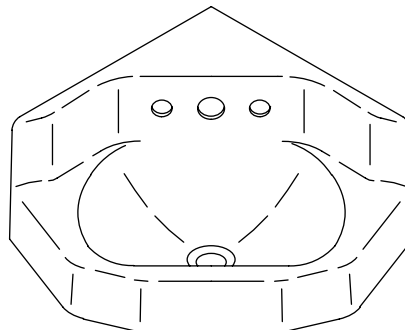


Features

- KOHLER cast iron
- Wall-mount
- With overflow
- Shelf-back
- Corner lavatory
- Factory-installed K-8040-2A Triton® faucet with pop-up drain and stopper drain, aerator
- Less K-8040-2A Triton faucet (-EH)
- 16" (40.6 cm) x 16" (40.6 cm)

WALL-MOUNT CORNER LAVATORY K-2766



Codes/Standards Applicable

Specified model meets or exceeds the following:

- ASME A112.19.1M
- IAPMO/UPC
- CSA B45

Colors/Finishes

- 0: White
- Other: Refer to Price Book for additional colors/finishes

Specified Model

| Model | Description | Colors/Finishes | |
|-----------|--|----------------------------|-------------------------------------|
| K-2766 | Wall-mount corner lavatory with faucet | <input type="checkbox"/> 0 | <input type="checkbox"/> Other_____ |
| K-2766-EH | Wall-mount corner lavatory less faucet | <input type="checkbox"/> 0 | <input type="checkbox"/> Other_____ |

Product Specification

The shelf-back, wall-mount, corner lavatory shall be 16" (40.6 cm) in length and 16" (40.6 cm) in width. Lavatory shall be made of cast iron. Lavatory shall have factory-installed K-8040-2A Triton lavatory faucet with pop-up and stopper drain, aerator, or be less faucet (-EH). Lavatory shall have overflow. Lavatory shall be Kohler Model K-2766-_____-_____.

MARSTON™

Technical Information

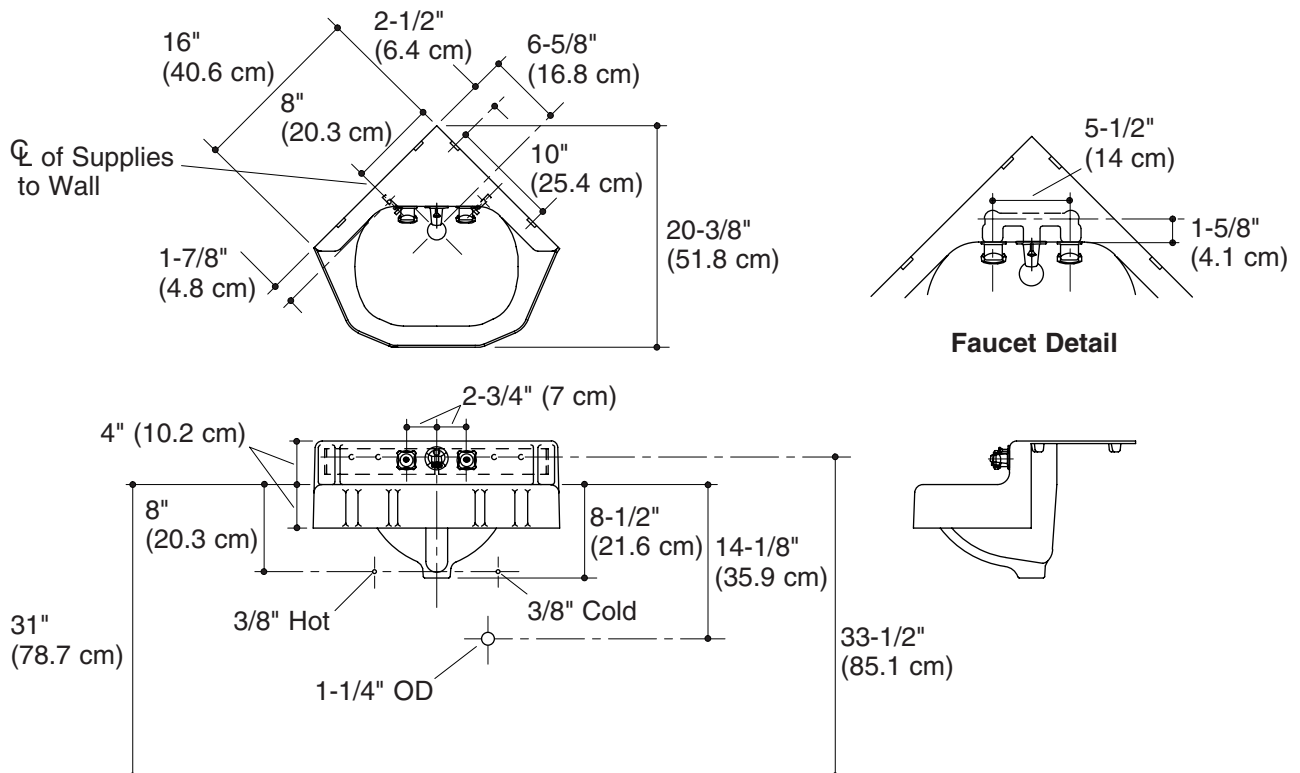
| | |
|---|-----------------------------|
| Fixture*: | |
| Basin area | 15" (38.1 cm) x 11" (28 cm) |
| Water depth | 5" (12.7 cm) |
| Drain hole | 1-11/16" (4.3 cm) D. |
| * Approximate measurements for comparison only. | |

| | |
|--------|--------------------|
| Hole | |
| Spout | 1-1/2" (3.8 cm) D. |
| Faucet | 1-3/16" (3 cm) D. |

| | |
|----------------------|-----------|
| Included components: | |
| Triton® faucet | K-8040-2A |
| Hanger | 64503 |
| Overflow ferrule (1) | 84896 |

Installation Notes

Install this product according to the installation guide.



Product Diagram