

Features

- KOHLER cast iron
- Wall-mount
- With overflow
- 8" (203 mm) centers, 4" (102 mm) centers, or single hole
- 19" (483 mm) x 17" (432 mm)

WALL-MOUNT LAVATORY

K-2805

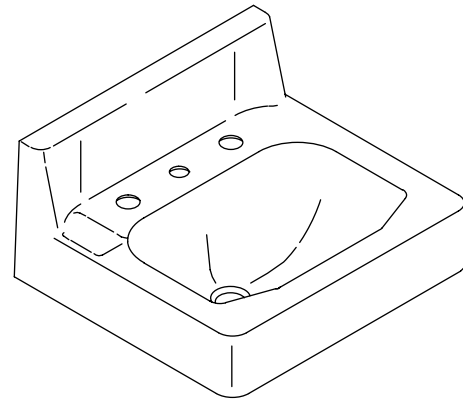
ALSO K-2861, K-2863

ADA

Codes/Standards Applicable

Specified model meets or exceeds the following:

- ADA
- ICC/ANSI A117.1
- ASME A112.19.1/CSA B45.2



Colors/Finishes

- 0: White
- Other: Refer to Price Book for additional colors/finishes

Accessories:

- CP: Polished Chrome
- Other: Refer to Price Book for additional colors/finishes

Specified Model

Model	Description	Colors/Finishes	
K-2805	Lavatory with single hole	<input type="checkbox"/> 0	<input type="checkbox"/> Other_____
K-2861	Lavatory with 4" (102 mm) centers	<input type="checkbox"/> 0	<input type="checkbox"/> Other_____
K-2863	Lavatory with 8" (203 mm) centers	<input type="checkbox"/> 0	<input type="checkbox"/> Other_____
Recommended Accessories			
K-8998	P-Trap	<input type="checkbox"/> CP	<input type="checkbox"/> Other_____

Product Specification

The wall-mount lavatory with back shall be 19" (483 mm) in length and 17" (432 mm) in width. Lavatory shall be made of cast iron. Lavatory shall have 8" (203 mm) centers (K-2863), 4" (102 mm) centers (K-2861), or single hole (K-2805). Lavatory shall have overflow. Lavatory shall be Kohler Model K-_____-_____-_____.

HUDSON™

Technical Information

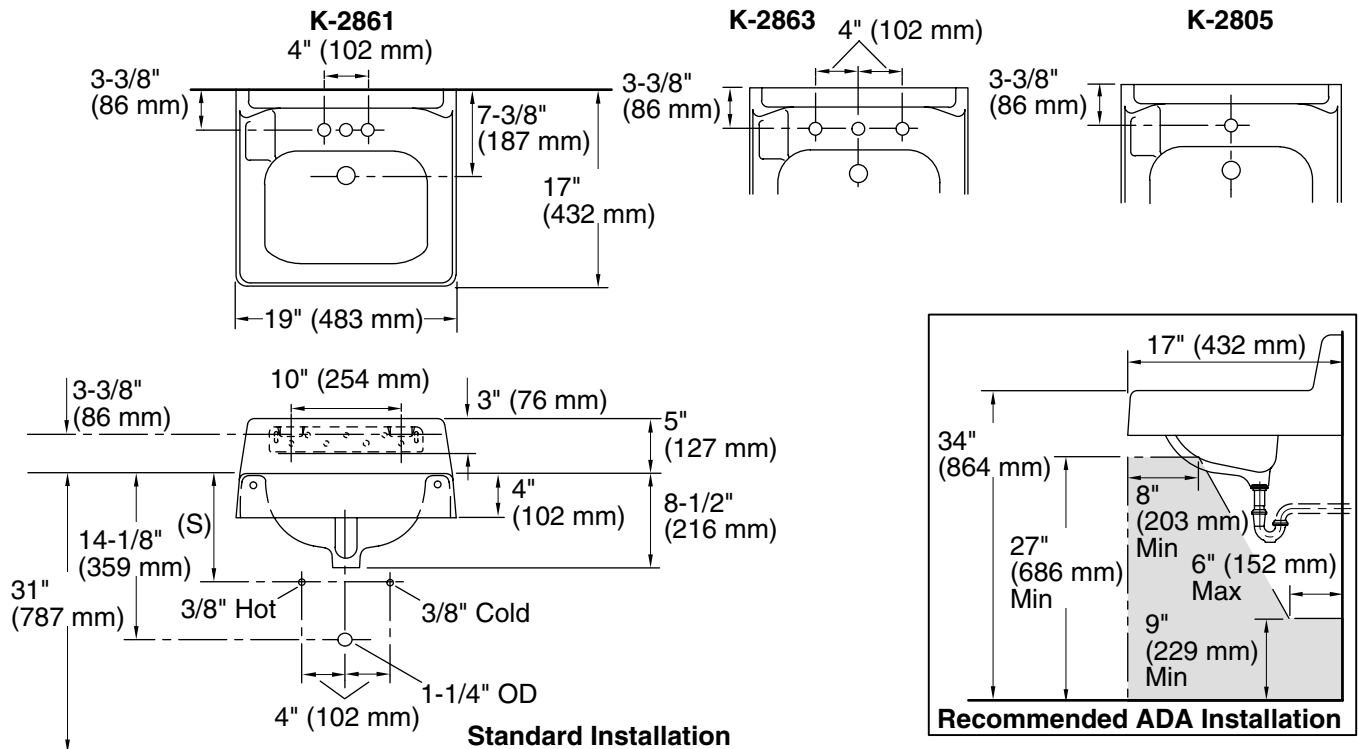
Fixture*:	
Basin area	15" (381 mm) x 10" (254 mm)
Water depth	5" (127 mm)
Drain hole	Ø 1-11/16" (43 mm)
* Approximate measurements for comparison only.	

Holes	K-2863	K-2861	K-2805
Spout	Ø 1-1/8" (29 mm)	Ø 1-1/8" (29 mm)	Ø 1-3/8" (35 mm)
Faucet	Ø 1-3/8" (35 mm)	Ø 1-3/16" (30 mm)	NA

Included components:	
Hanger	64503

Installation Notes

Install this product according to the installation guide. Will comply with **ADA** when installed per section 606 Lavatories of the Act.



(S) Supply K-2861 and K-2805 = 10" (254 mm) and K-2863 = 14" (356 mm)

Product Diagram