

### Features

- KOHLER cast iron
- Wall-mount
- With overflow
- Lugs for chair carrier
- 8" (203 mm) centers, 4" (102 mm) centers, or single hole
- 20" (508 mm) x 18" (457 mm)

### WALL-MOUNT LAVATORY

# K-2812

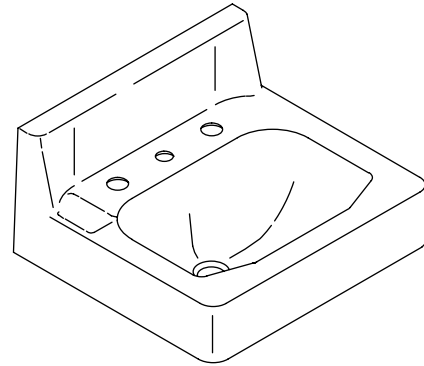
## ALSO K-2867, K-2868

ADA

### Codes/Standards Applicable

Specified model meets or exceeds the following:

- ADA
- ICC/ANSI A117.1
- ASME A112.19.1/CSA B45.2



### Colors/Finishes

- 0: White
- Other: Refer to Price Book for additional colors/finishes

### Accessories:

- CP: Polished Chrome
- Other: Refer to Price Book for additional colors/finishes

### Specified Model

Model	Description	Colors/Finishes	
K-2812	Lavatory with single hole	<input type="checkbox"/> 0	<input type="checkbox"/> Other _____
K-2867	Lavatory with 4" (102 mm) centers	<input type="checkbox"/> 0	<input type="checkbox"/> Other _____
K-2868	Lavatory with 8" (203 mm) centers	<input type="checkbox"/> 0	<input type="checkbox"/> Other _____
Recommended Accessories			
K-8998	P-Trap	<input type="checkbox"/> CP	<input type="checkbox"/> Other _____

### Product Specification

The wall-mount lavatory with back shall be 20" (508 mm) in length and 18" (457 mm) in width. Lavatory shall be made of cast iron. Lavatory shall have 8" (203 mm) centers (K-2686), 4" (102 mm) centers (K-2867), or single hole (K-2812). Lavatory shall have overflow. Lavatory shall have lugs for chair carrier. Lavatory shall be Kohler Model K-\_\_\_\_-\_\_\_\_-\_\_\_\_.

# HUDSON™

## Technical Information

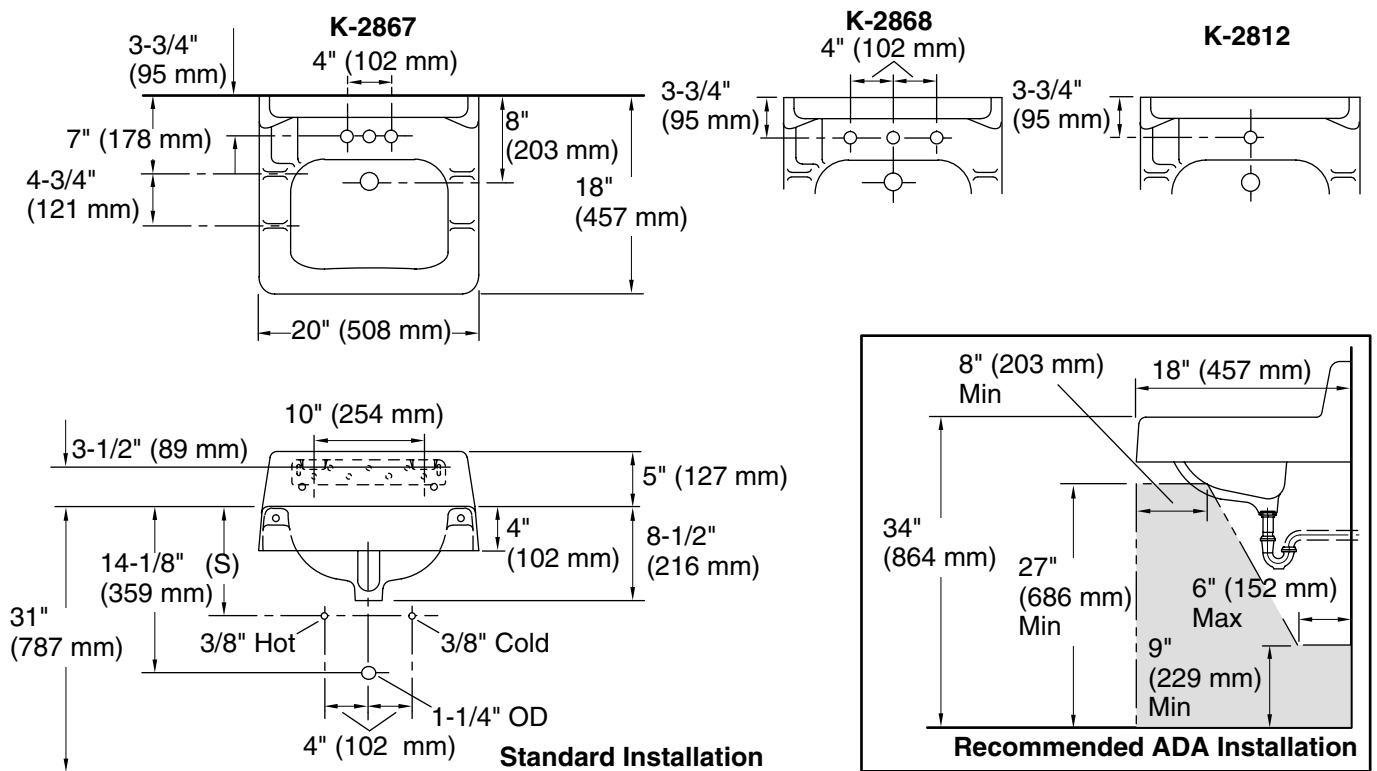
Fixture*:	
Basin area	15" (381 mm) x 10" (254 mm)
Water depth	5" (127 mm)
Drain hole	Ø 1-11/16" (43 mm)
* Approximate measurements for comparison only.	

Holes	K-2868	K-2867	K-2812
Spout	Ø 1-1/8" (29 mm)	Ø 1-1/8" (29 mm)	Ø 1-3/8" (35 mm)
Faucet	Ø 1-3/8" (35 mm)	Ø 1-3/16" (30 mm)	NA

Included components:	
Hanger	64503

## Installation Notes

Install this product according to the installation guide. Will comply with **ADA** when installed per section 606 Lavatories of the Act.



(S) Supply K-2867 and K-2812 = 10" (254 mm) and K-2868 = 14" (356 mm)

## Product Diagram